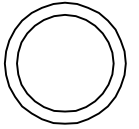
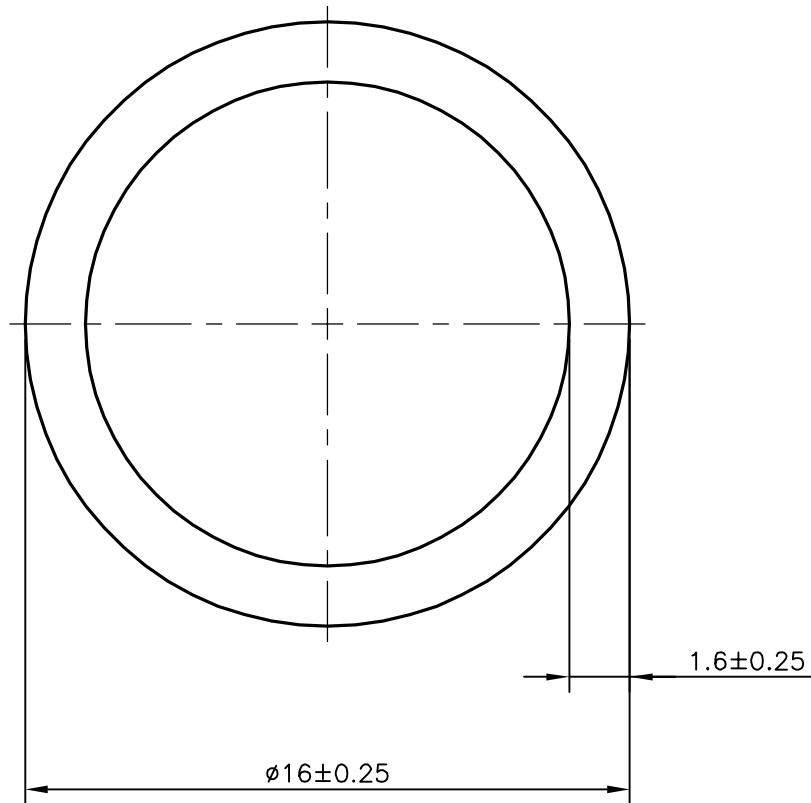


P-17357

13691



1:1



SYMBOL OF QUALITY
AN ISO 9001 COMPANY

JINDAL ALUMINIUM LTD.
BANGALORE-560073 (INDIA)

1. ALL DIMENSIONS ARE IN mm.
2. ROUND OFF ALL SHARP CORNERS WITH 0.40 mm.
3. TOLERANCES WILL BE AS PER BS:EN-755-8 UNLESS OTHERWISE SPECIFIED

PARTY'S NAME ULLRICH ALUMINIUM PTY LTD., AUSTRALIA

PARTY'S DRAWING No. AS PER SPECIFICATION

ALLOY & TEMPER 6063 T6

DESCRIPTION ROUND TUBE

	NAME	DATE
DRAWN	J.P.KAUSHIK	24-07-2017
CHECKED		
APPROVED	B.NATARAJA	10-08-2017
SCALE		5:1
AREA mm ²		72.382
PERIMETER mm.		50.265
WEIGHT kg/m		0.195
DRAWING No.		SECTION No.
P-17357		-
13691		13691