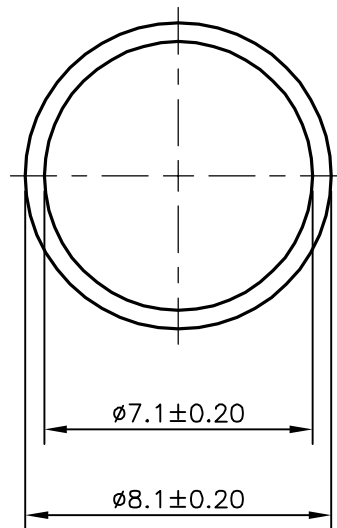


P-17362

13692



1:1



SYMBOL OF QUALITY  
AN ISO 9001 COMPANY

**JINDAL ALUMINIUM LTD.**  
**BANGALORE-560073 (INDIA)**

1. ALL DIMENSIONS ARE IN mm.
2. ROUND OFF ALL SHARP CORNERS WITH 0.40 mm.
3. TOLERANCES WILL BE AS PER IS:2673-2002 UNLESS OTHERWISE SPECIFIED

PARTY'S NAME GENERAL CATEGORY, DELHI MARKET

PARTY'S DRAWING No. AS PER SPECIFICATION

ALLOY & TEMPER HE9 WP

DESCRIPTION ROUND TUBE

	NAME	DATE
DRAWN	J.P.KAUSHIK	27-07-2017
CHECKED		
APPROVED	<b>B.NATARAJA</b>	11-09-2017
SCALE		5:1
AREA mm <sup>2</sup>		11.938
PERIMETER mm.		25.447
WEIGHT kg/m		0.032
DRAWING No.		SECTION No.
P-17362		-
13692		13692