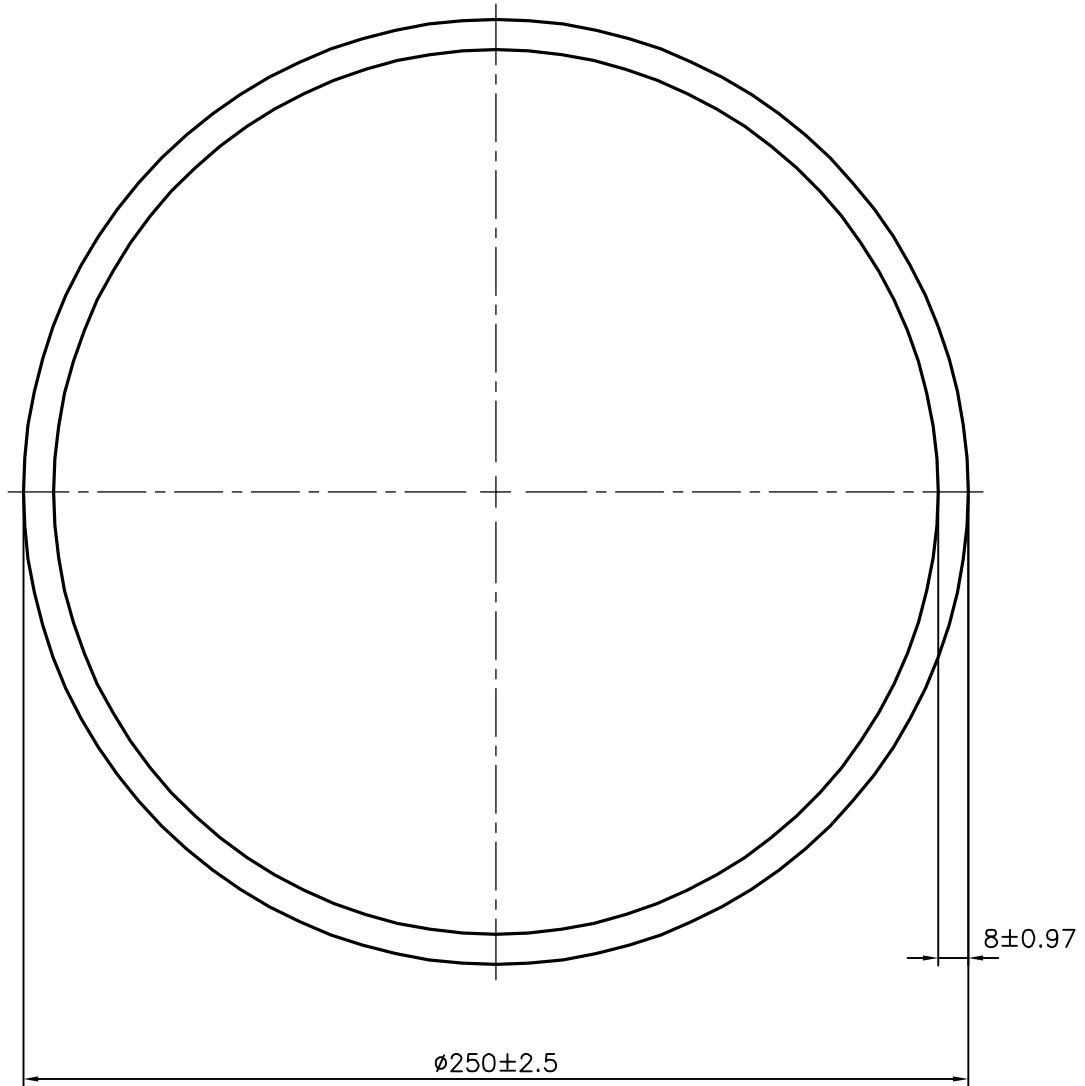


P-14769

S4516

13694



SYMBOL OF QUALITY
AN ISO 9001 COMPANY

JINDAL ALUMINIUM LTD.
BANGALORE-560073 (INDIA)

	NAME	DATE
DRAWN	J.P.KAUSHIK	13-06-2015
CHECKED		
APPROVED	S.S.GARG	04-07-2015
SCALE		0.5:1
AREA mm ²		6082.123
PERIMETER mm.		785.398
WEIGHT kg/m		16.422
DRAWING No.	SECTION No.	
P-14769		
S4516	S4516	
13694	13694	

1. ALL DIMENSIONS ARE IN mm.
2. ROUND OFF ALL SHARP CORNERS WITH 0.40 mm.
3. TOLERANCES WILL BE AS PER IS:2673-2002 UNLESS OTHERWISE SPECIFIED

PARTY'S NAME	T.M. POWER LINE PRODUCTS PVT. LTD., KOLKATA
PARTY'S DRAWING No.	AS PER SPECIFICATION
ALLOY & TEMPER	6101B T6
DESCRIPTION	ROUND TUBE