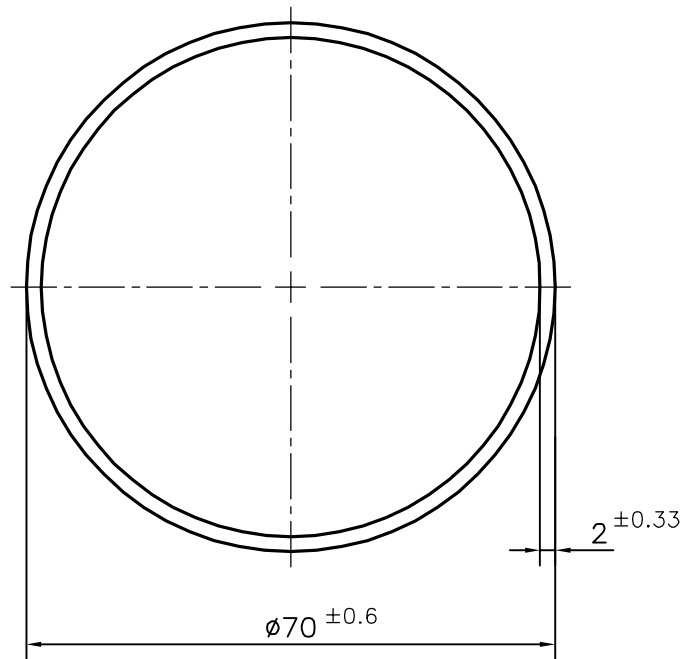



P-15153

S4677

13695



*OVALITY = ±1.3 mm.*

|  |  |                      |                |            |
|--|--|----------------------|----------------|------------|
| <br>SYMBOL OF QUALITY<br>AN ISO 9001 COMPANY                        | <b>JINDAL ALUMINIUM LTD.</b><br>BANGALORE-560073 (INDIA) | NAME                 |                | DATE       |
|  |  | DRAWN                | <i>PARVESH</i> | 09-09-2015 |
| 1. ALL DIMENSIONS ARE IN mm.<br>2. ROUND OFF ALL SHARP CORNERS WITH 0.40 mm.<br>3. TOLERANCES WILL BE AS PER IS:2673-2002 , UNLESS OTHERWISE SPECIFIED |  | CHECKED              |                |            |
|  |  | APPROVED             | S.S.GARG       | 21-09-2015 |
| PARTY'S NAME<br>TECHNOCRATS SECURITY SYSTEMS PVT LTD, MUMBAI   |  | SCALE                |                | 1:1        |
|  |  | AREA mm <sup>2</sup> |                | 427.257    |
| PARTY'S DRAWING No.<br>AS PER SPECIFICATION  |  | PERIMETER mm.        |                | 219.911    |
|  |  | WEIGHT kg/m          |                | 1.154      |
| ALLOY & TEMPER<br>HE9 WP   |  | DRAWING No.          | SECTION No.    |            |
|  |  | P-15153              | -              |            |
| DESCRIPTION<br>ROUND TUBE  |  | S4677                | S4677          |            |
|  |  | 13695                | 13695          |            |