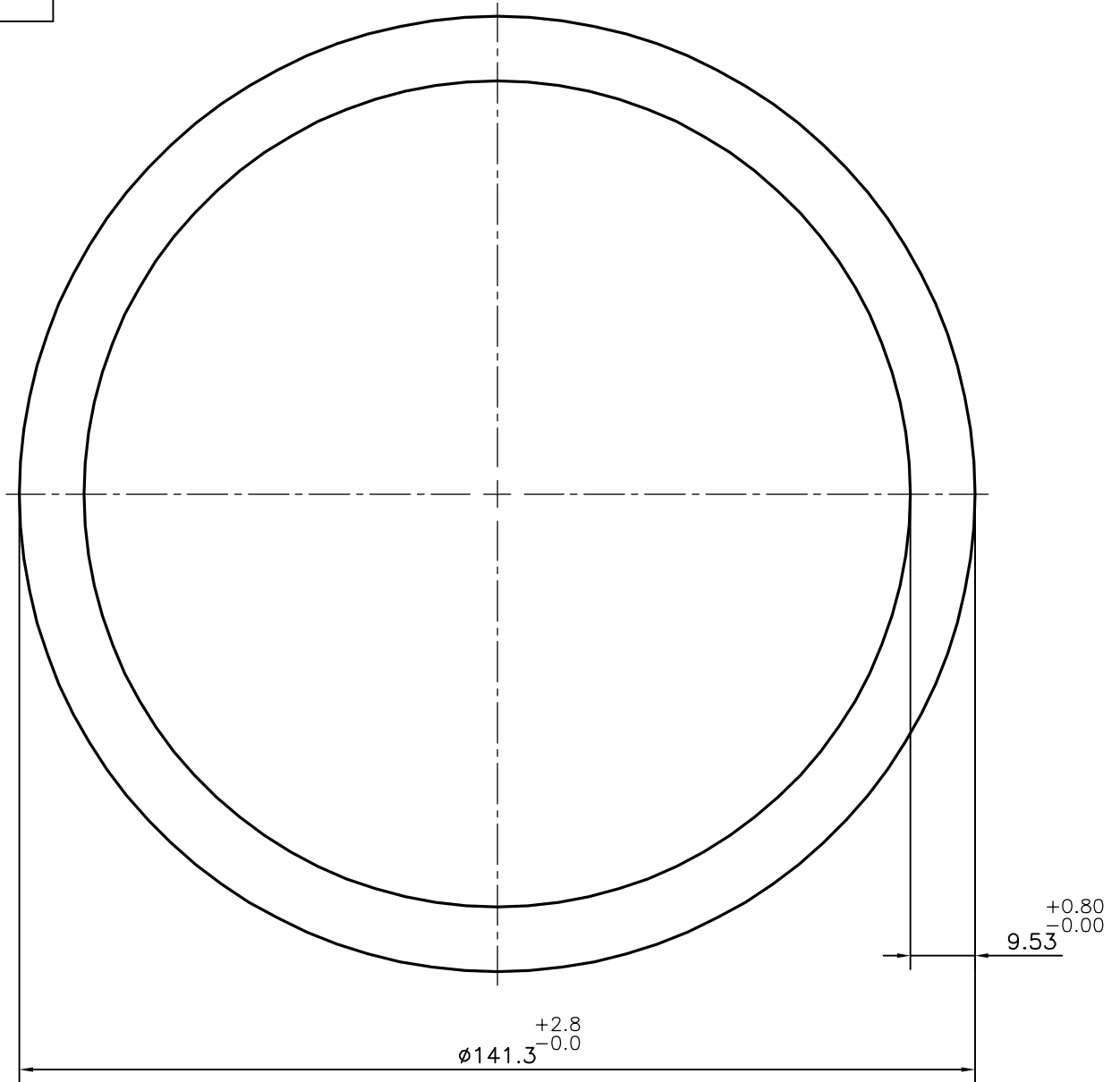


P-17883

13699



SYMBOL OF QUALITY  
AN ISO 9001 COMPANY

**JINDAL ALUMINIUM LTD.**  
BANGALORE-560073 (INDIA)

|                      | NAME        | DATE       |
|----------------------|-------------|------------|
| DRAWN                | J.P.KAUSHIK | 16-02-2018 |
| CHECKED              |             |            |
| APPROVED             | B.NATARAJ   | 17-02-2018 |
| SCALE                |             | 1:1        |
| AREA mm <sup>2</sup> |             | 3945.112   |
| PERIMETER mm.        |             | 443.907    |
| WEIGHT kg/m          |             | 10.652     |
| DRAWING No.          | SECTION No. |            |
| P-17883              | -           |            |
| 13699                | 13699       |            |
|                      |             |            |
|                      |             |            |

1. ALL DIMENSIONS ARE IN mm.
2. ROUND OFF ALL SHARP CORNERS WITH 0.40 mm.
3. TOLERANCES WILL BE AS PER IS:2673-2002 , UNLESS OTHERWISE SPECIFIED

|                     |                                     |
|---------------------|-------------------------------------|
| PARTY'S NAME        | BHARAT HEAVY ELECTRICALS LTD. NOIDA |
| PARTY'S DRAWING No. | AS PER SPECIFICATION                |
| ALLOY & TEMPER      | 63401 WP                            |
| DESCRIPTION         | ROUND TUBE                          |