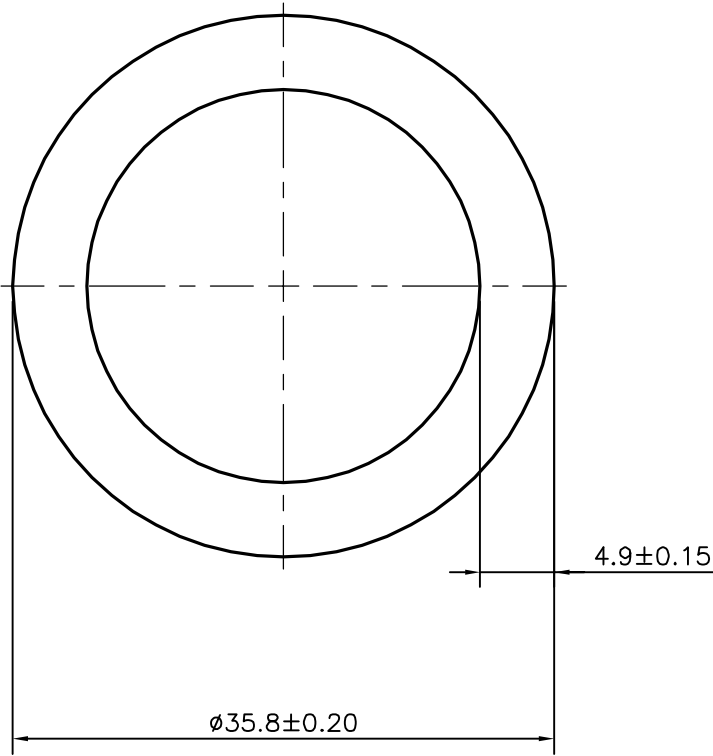
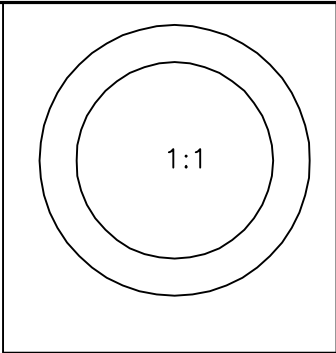



|           |
|-----------|
| P-15449-1 |
| S4811     |
| 13703     |



|  |  |                      |             |            |
|--|--|----------------------|-------------|------------|
| <br>SYMBOL OF QUALITY<br>AN ISO 9002 COMPANY                      | <b>JINDAL ALUMINIUM LTD.</b><br>BANGALORE-560073 (INDIA) |                      | NAME        | DATE       |
|  |  | DRAWN                | J.P.KAUSHIK | 21-12-2015 |
| 1. ALL DIMENSIONS ARE IN mm.<br>2. ROUND OFF ALL SHARP CORNERS WITH 0.40 mm.<br>3. TOLERANCES WILL BE AS PER IS:2673-2002 UNLESS OTHERWISE SPECIFIED |  | CHECKED              |             |            |
|  |  | APPROVED             | S.S.GARG    | 28-12-2015 |
| PARTY'S NAME<br>PATELS AIRTEMP(INDIA) LTD., GANDHI NAGAR   |  | SCALE                |             | 2:1        |
|  |  | AREA mm <sup>2</sup> |             | 475.669    |
| PARTY'S DRAWING No.<br>AS PER SPECIFICATION  |  | PERIMETER mm.        |             | 112.469    |
|  |  | WEIGHT kg/m          |             | 1.284      |
| ALLOY & TEMPER<br>1060 F   |  | DRAWING No.          | SECTION No. |            |
|  |  | P-15449-1            | -           |            |
| DESCRIPTION<br>ROUND TUBE (MUFF TUBE)  |  | S4811                | S4811       |            |
|  |  | 13703                | 13703       |            |
|  |  |                      |             |            |
|  |  |                      |             |            |