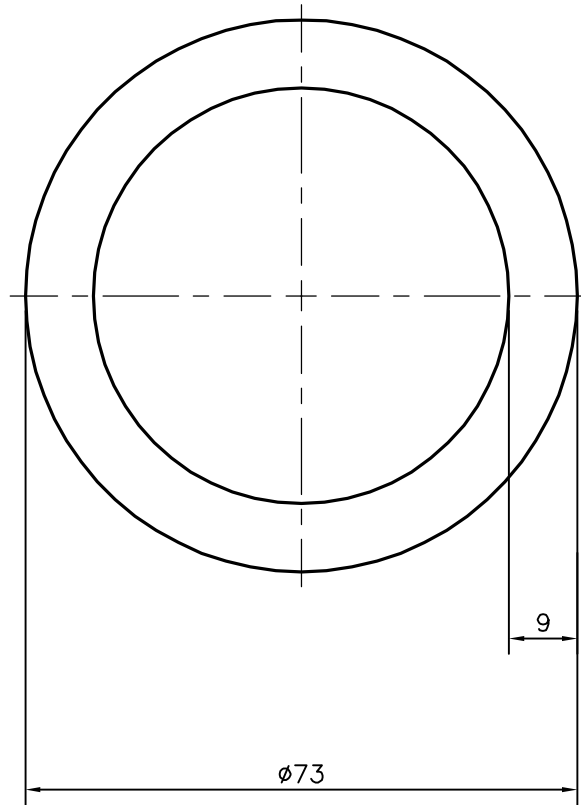



P-15386

S4812

13704



 SYMBOL OF QUALITY AN ISO 9002 COMPANY	JINDAL ALUMINIUM LTD. BANGALORE-560073 (INDIA)		NAME	DATE
		DRAWN	J.P.KAUSHIK	01-12-2015
1. ALL DIMENSIONS ARE IN mm. 2. ROUND OFF ALL SHARP CORNERS WITH 0.40 mm. 3. TOLERANCES WILL BE AS PER IS:2673-2002 UNLESS OTHERWISE SPECIFIED		CHECKED		
		APPROVED	S.S.GARG	31-12-2015
PARTY'S NAME NATIONAL ALUMINIUM CO.LTD., ANGUL		SCALE		1:1
		AREA mm ²		1809.557
PARTY'S DRAWING No. AS PER SPECIFICATION		PERIMETER mm.		229.336
		WEIGHT kg/m		4.886
ALLOY & TEMPER 63401 WP		DRAWING No.	SECTION No.	
		P-15386	-	
DESCRIPTION ROUND TUBE		S4812	S4812	
		13704	13704	