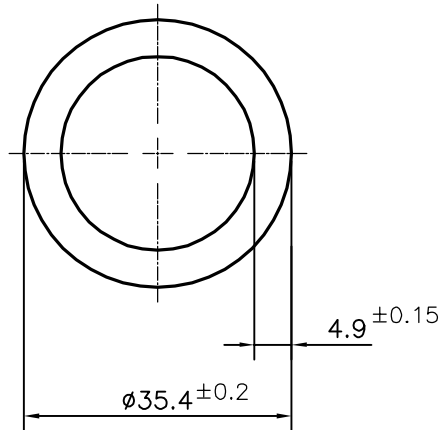


P-15573-3

S4888

13706



SYMBOL OF QUALITY
AN ISO 9001 COMPANY

JINDAL ALUMINIUM LTD.
BANGALORE-560073 (INDIA)

	NAME	DATE
DRAWN	PARVESH	16-03-2016
CHECKED		
APPROVED	S.S. GARG	29-03-2016
SCALE		1:1
AREA mm ²		469.511
PERIMETER mm.		111.212
WEIGHT kg/m		1.268
DRAWING No.	SECTION No.	
P-15573-3	-	
S4888	S4888	
13706	13706	

1. ALL DIMENSIONS ARE IN mm.
2. ROUND OFF ALL SHARP CORNERS WITH 0.40 mm.
3. TOLERANCES WILL BE AS PER IS:2673-2002 , UNLESS OTHERWISE SPECIFIED

PARTY'S NAME	PATELS AIRTEMP (INDIA) LTD., GANDHI NAGAR
PARTY'S DRAWING No.	AS PER SPECIFICATION
ALLOY & TEMPER	1060 F
DESCRIPTION	ROUND TUBE- MUFF TUBE