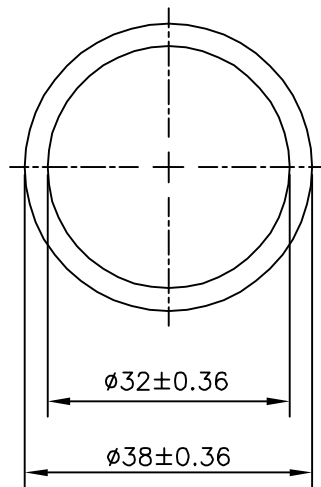



P-18687

13710



 SYMBOL OF QUALITY AN ISO 9001 COMPANY	JINDAL ALUMINIUM LTD. BANGALORE-560073 (INDIA)		NAME	DATE
		DRAWN	J.P.KAUSHIK	18-09-2018
1. ALL DIMENSIONS ARE IN mm. 2. ROUND OFF ALL SHARP CORNERS WITH 0.40 mm. 3. TOLERANCES WILL BE AS PER IS:2673-2002 , UNLESS OTHERWISE SPECIFIED		CHECKED		
		APPROVED	B.NATARAJA	22-09-2018
PARTY'S NAME GENERAL CATEGORY, DELHI MARKET		SCALE		1:1
		AREA mm ²		329.867
PARTY'S DRAWING No. AS PER SPECIFICATION		PERIMETER mm.		119.381
		WEIGHT kg/m		0.891
ALLOY & TEMPER 6063 T6		DRAWING No.	SECTION No.	
		P-18687	-	
DESCRIPTION ROUND TUBE		13710	13710	