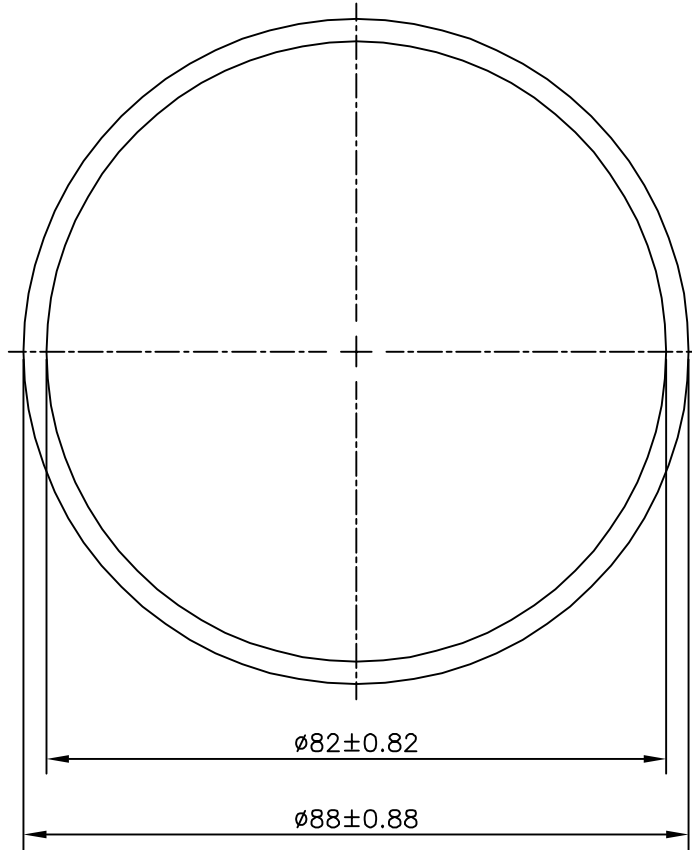


P-18689

13715



SYMBOL OF QUALITY  
AN ISO 9001 COMPANY

**JINDAL ALUMINIUM LTD.**  
BANGALORE-560073 (INDIA)

	NAME	DATE
DRAWN	J.P.KAUSHIK	18-09-2018
CHECKED		
APPROVED	B.NATARAJA	22-09-2018
SCALE		1:1
AREA mm <sup>2</sup>		801.106
PERIMETER mm.		276.46
WEIGHT kg/m		2.163
DRAWING No.	SECTION No.	
P-18689	-	
13715	13715	

1. ALL DIMENSIONS ARE IN mm.
2. ROUND OFF ALL SHARP CORNERS WITH 0.40 mm.
3. TOLERANCES WILL BE AS PER IS:2673-2002 , UNLESS OTHERWISE SPECIFIED

PARTY'S NAME	GENERAL CATEGORY, DELHI MARKET
PARTY'S DRAWING No.	AS PER SPECIFICATION
ALLOY & TEMPER	6063 T6
DESCRIPTION	ROUND TUBE