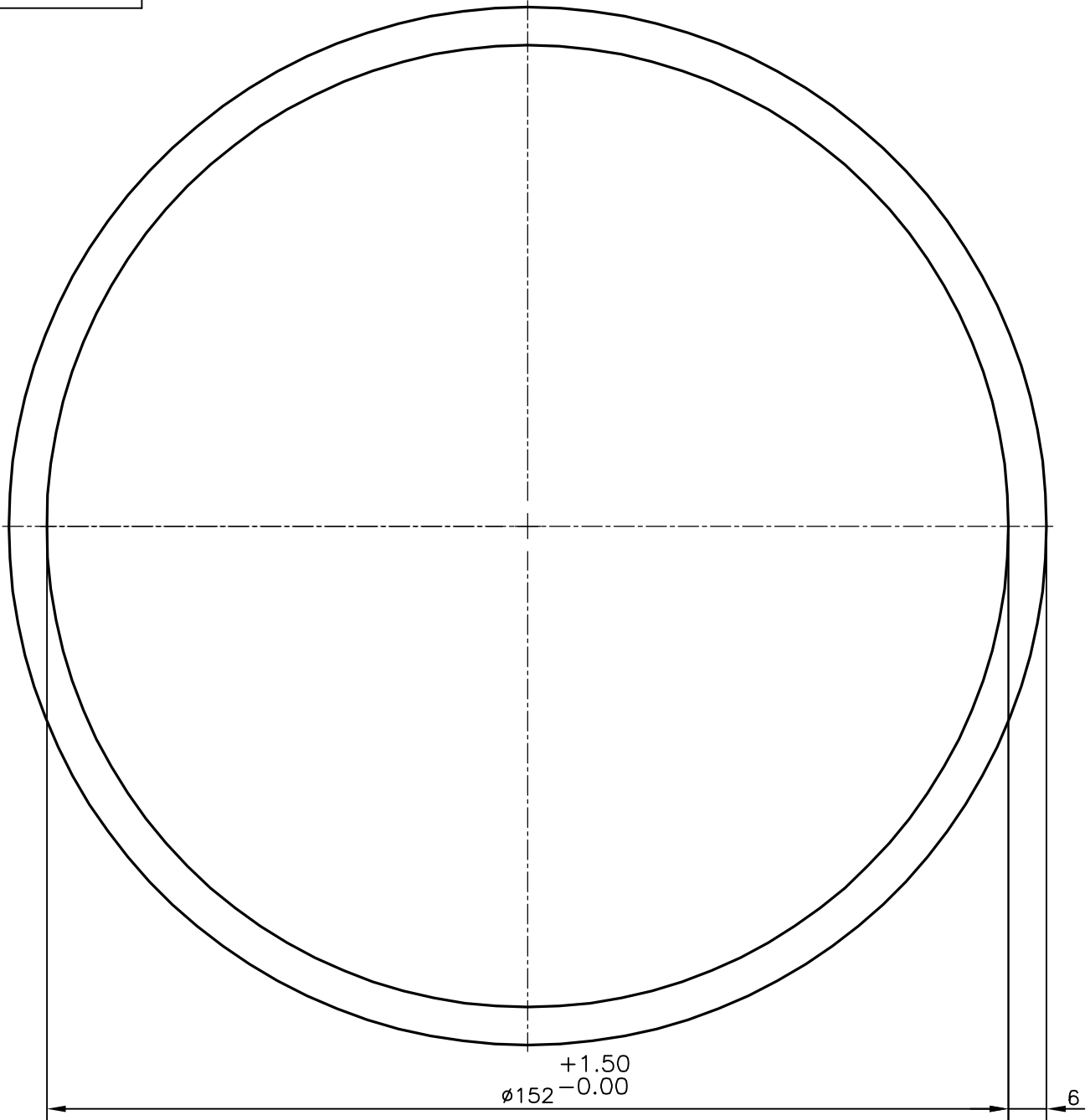


P-18702


13718



ISSUE-2

DIMENSION & TOLERANCE CHANGED FROM $\phi 151^{+2.00}_{-0.00}$ mm TO $\phi 152^{+1.50}_{-0.00}$ mm

WEIGHT CHANGED FROM 7.990 TO 8.041 kg/m

 SYMBOL OF QUALITY AN ISO 9001 COMPANY	JINDAL ALUMINIUM LTD. BANGALORE-560073 (INDIA)			NAME	DATE
		DRAWN	J.P.KAUSHIK	30-12-2019	
1. ALL DIMENSIONS ARE IN mm. 2. ROUND OFF ALL SHARP CORNERS WITH 0.40 mm. 3. TOLERANCES WILL BE AS PER IS:2673-2002 , UNLESS OTHERWISE SPECIFIED		CHECKED			
		APPROVED	B.NATARAJA	30-12-2019	
PARTY'S NAME JINDAL ALUMINIUM LTD., DOBBASPET		SCALE		1:1	
		AREA mm ²		2978.23	
PARTY'S DRAWING No. AS PER SPECIFICATION		PERIMETER mm.		515.221	
		WEIGHT kg/m		8.041	
ALLOY & TEMPER HE9 WP		DRAWING No.		SECTION No.	
		P-18702		-	
DESCRIPTION ROUND TUBE		13718		13718(ISSUE-2)	