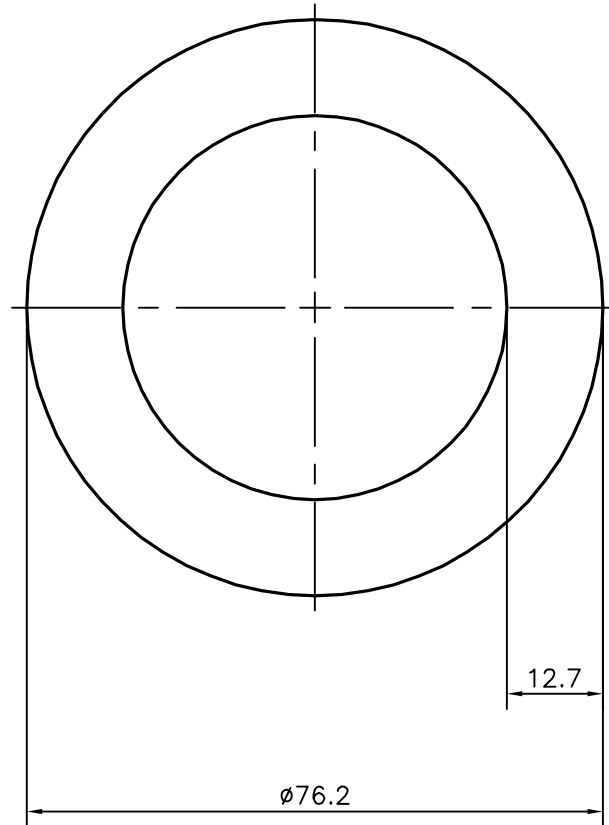


P-18830

13722



SYMBOL OF QUALITY
AN ISO 9001 COMPANY

JINDAL ALUMINIUM LTD.
BANGALORE-560073 (INDIA)

	NAME	DATE
DRAWN	DARPAN	03-11-2018
CHECKED		
APPROVED	B,NATARAJA	12-11-2018
SCALE		1:1
AREA mm ²		2533.537
PERIMETER mm.		239.389
WEIGHT kg/m		6.841
DRAWING No.	SECTION No.	
P-18830	-	
13722	13722	

1. ALL DIMENSIONS ARE IN mm.
2. ROUND OFF ALL SHARP CORNERS WITH 0.40 mm.
3. TOLERANCES WILL BE AS PER IS:6477-1983 , UNLESS OTHERWISE SPECIFIED

PARTY'S NAME	GENERAL CATEGORY, DELHI MARKET
PARTY'S DRAWING No.	AS PER SPECIFICATION
ALLOY & TEMPER	HE9 WP
DESCRIPTION	ROUND TUBE