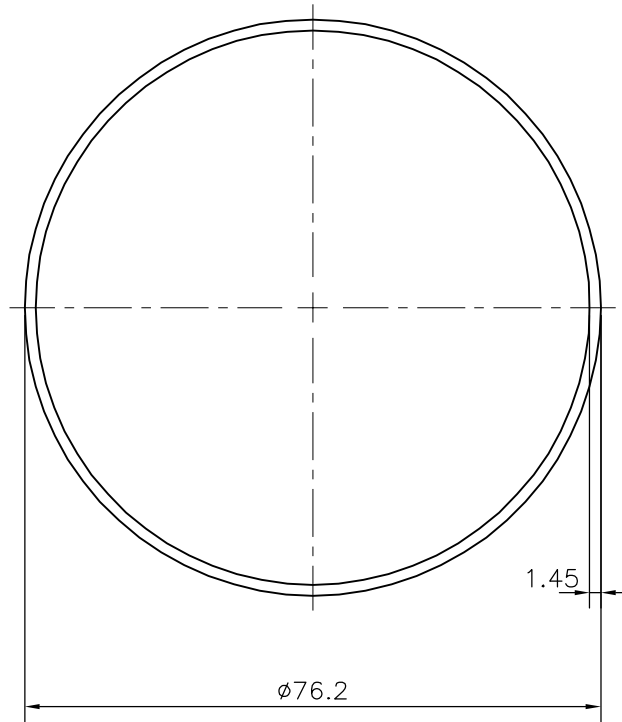


P-17605

S5565

13723



SYMBOL OF QUALITY
AN ISO 9001 COMPANY

JINDAL ALUMINIUM LTD.
BANGALORE-560073 (INDIA)

	NAME	DATE
DRAWN	J.P.KAUSHIK	02-11-2017
CHECKED		
APPROVED	B.NATARAJA	04-11-2017
SCALE		1:1
AREA mm ²		340.509
PERIMETER mm.		239.389
WEIGHT kg/m		0.919
DRAWING No.	SECTION No.	
P-17605	-	
S5565	S5565	
13723	13723	

1. ALL DIMENSIONS ARE IN mm.
2. ROUND OFF ALL SHARP CORNERS WITH 0.40 mm.
3. TOLERANCES WILL BE AS PER,IS:2673-2002 UNLESS OTHERWISE SPECIFIED

PARTY'S NAME	SRK LADDERS, BANGALORE
PARTY'S DRAWING No.	AS PER DRAWING
ALLOY & TEMPER	HE9 WP
DESCRIPTION	ROUND TUBE