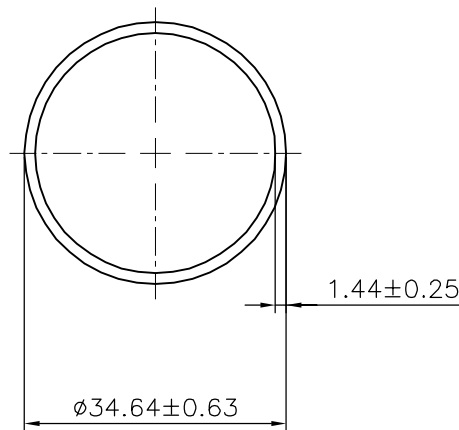


P-17805

13730



SYMBOL OF QUALITY
AN ISO 9001 COMPANY

JINDAL ALUMINIUM LTD.
BANGALORE-560073 (INDIA)

	NAME	DATE
DRAWN	J.P.KAUSHIK	20-01-2018
CHECKED		
APPROVED	B.NATARAJA	15-02-2019
SCALE		1:1
AREA mm ²		150.193
PERIMETER mm.		108.825
WEIGHT kg/m		0.406
DRAWING No.	SECTION No.	
P-17805	-	
13730	13730	

1. ALL DIMENSIONS ARE IN mm.
2. ROUND OFF ALL SHARP CORNERS WITH 0.40 mm.
3. TOLERANCES WILL BE AS PER ANSI:H35.2-2009, UNLESS OTHERWISE SPECIFIED

PARTY'S NAME	GEORGA IMPORT & TRADING CO.,USA
PARTY'S DRAWING No.	AS PER DRAWING
ALLOY & TEMPER	6063 T6
DESCRIPTION	ROUND TUBE