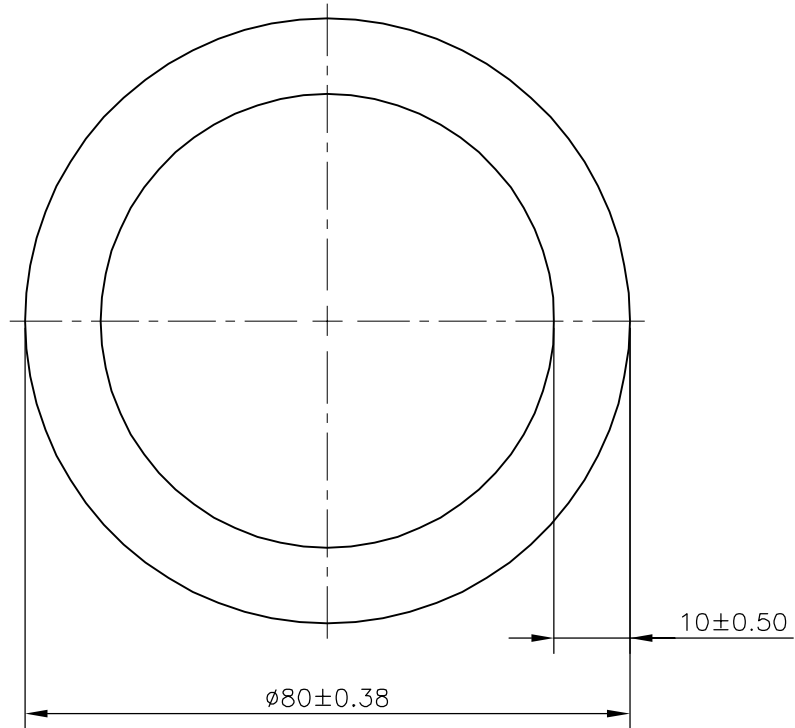



P-19138

13734



CONDUCTIVITY:-IACS 51% & MORE
 YS:-MIN 170 MPA
 TS,YS,EL,BE:- AS PER ASTM B221
 STRAIGHTNESS=0.83mm/m

 SYMBOL OF QUALITY AN ISO 9001 COMPANY	JINDAL ALUMINIUM LTD. BANGALORE-560073 (INDIA)		NAME	DATE
		DRAWN	J.P.KAUSHIK	26-02-2019
1. ALL DIMENSIONS ARE IN mm. 2. ROUND OFF ALL SHARP CORNERS WITH 0.40 mm. 3. TOLERANCES WILL BE AS PER ASTM-B221M UNLESS OTHERWISE SPECIFIED		CHECKED		
		APPROVED	B.NATARAJA	18-03-2019
PARTY'S NAME HYOSUNG HEAVY INDUSTRIES, SOUTH KOREA		SCALE		1:1
		AREA mm ²		2199.115
PARTY'S DRAWING No. AS PER SPECIFICATION		PERIMETER mm.		251.327
		WEIGHT kg/m		5.938
ALLOY & TEMPER 6063 T6		DRAWING No.	SECTION No.	
		P-19138	-	
DESCRIPTION ROUND TUBE		13734	13734	