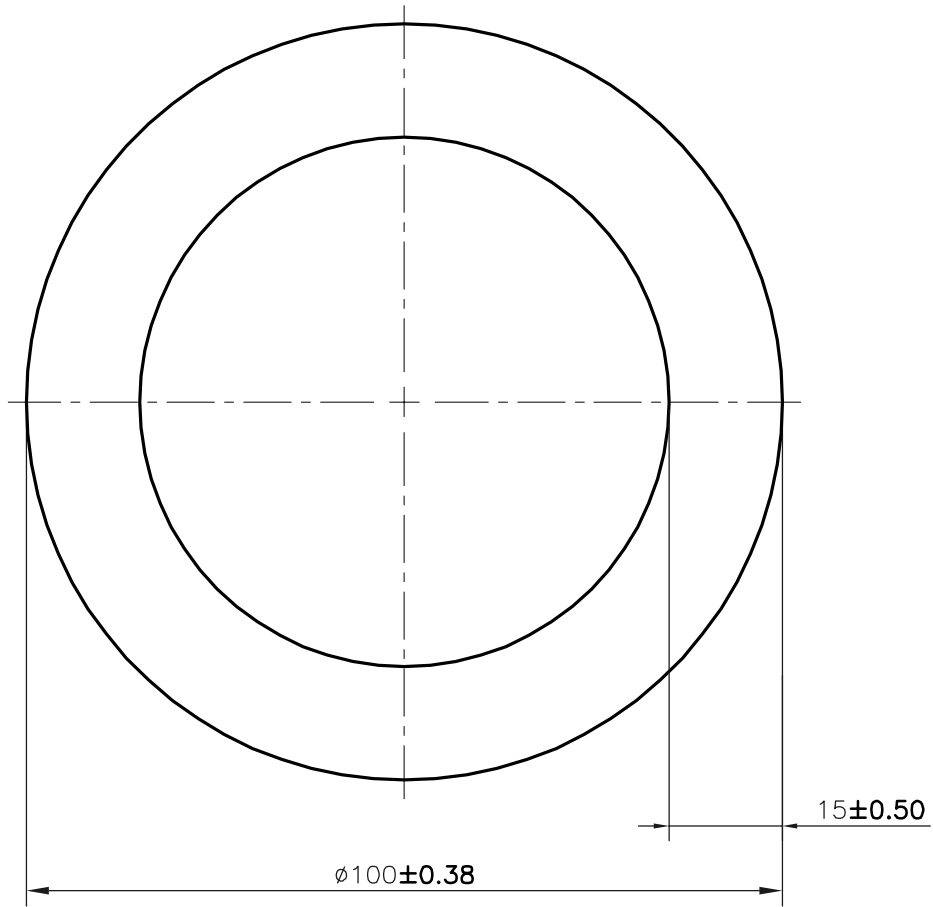



P-19932-1

13743



CONDUCTIVITY:-IACS 51% & MORE  
 YS:-MIN 170 MPA  
 TS,YS,EL,BE:- AS PER ASTM B221  
 STRAIGHTNESS=0.83mm/m

 SYMBOL OF QUALITY AN ISO 9001 COMPANY	<b>JINDAL ALUMINIUM LTD.</b> BANGALORE-560073 (INDIA)			NAME	DATE
		DRAWN	DARPAN		05-08-2019
1. ALL DIMENSIONS ARE IN mm. 2. ROUND OFF ALL SHARP CORNERS WITH 0.40 mm. 3. TOLERANCES WILL BE AS PER <b>ASTM-B221M</b> UNLESS OTHERWISE SPECIFIED		CHECKED			
		APPROVED	B.NATARAJA		14-08-2019
PARTY'S NAME <b>HYOSUNG HEAVY INDUSTRIES, SOUTH KOREA</b>		SCALE		1:1	
		AREA mm <sup>2</sup>		4005.531	
PARTY'S DRAWING No. <b>AS PER SPECIFICATION</b>		PERIMETER mm.		314.159	
		WEIGHT kg/m		10.815	
ALLOY & TEMPER <b>6063 T6</b>		DRAWING No.		SECTION No.	
		P-19932-1		-	
DESCRIPTION <b>ROUND TUBE</b>		13743		13743	