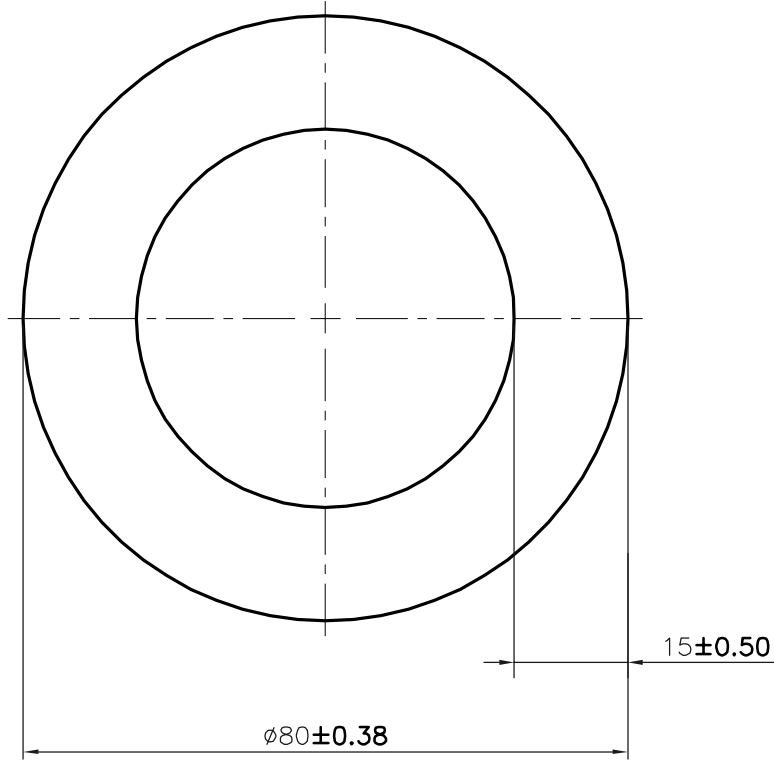


P-19933

13744



CONDUCTIVITY:-IACS 51% & MORE
 YS:-MIN 170 MPA
 TS,YS,EL,BE:- AS PER ASTM B221
 STRAIGHTNESS=0.83mm/m



SYMBOL OF QUALITY
 AN ISO 9001 COMPANY

JINDAL ALUMINIUM LTD.
 BANGALORE-560073 (INDIA)

	NAME	DATE
DRAWN	DARPAN	31-07-2019
CHECKED		
APPROVED	B.NATARAJA	14-08-2019
SCALE		1:1
AREA mm ²		3063.053
PERIMETER mm.		251.327
WEIGHT kg/m		8.27
DRAWING No.	SECTION No.	
P-19933	-	
13744	13744	

1. ALL DIMENSIONS ARE IN mm.
2. ROUND OFF ALL SHARP CORNERS WITH 0.40 mm.
3. TOLERANCES WILL BE AS PER **ASTM-B221M** UNLESS OTHERWISE SPECIFIED

PARTY'S NAME	HYOSUNG HEAVY INDUSTRIES, SOUTH KOREA
PARTY'S DRAWING No.	AS PER SPECIFICATION
ALLOY & TEMPER	6063 T6
DESCRIPTION	ROUND TUBE