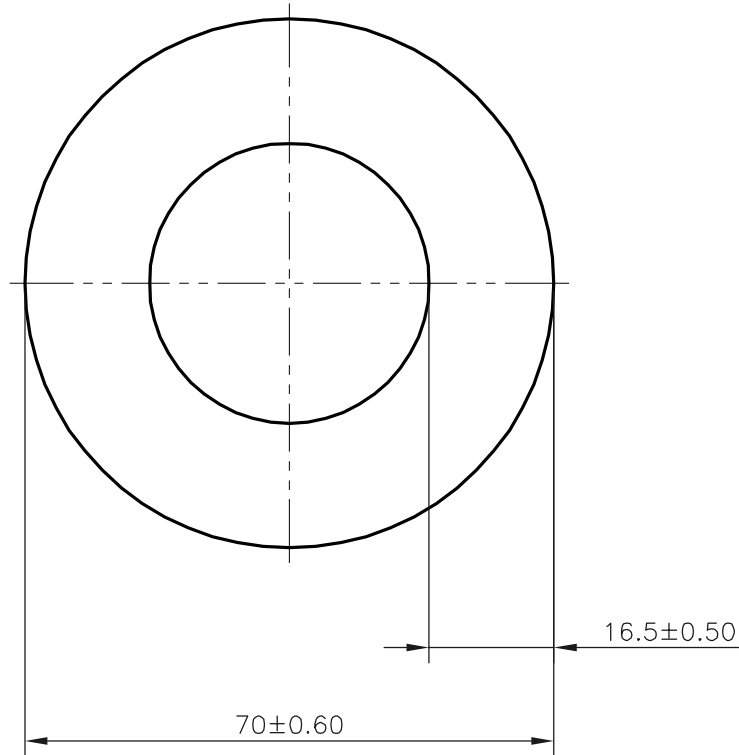


P-20244

13746



SYMBOL OF QUALITY
AN ISO 9001 COMPANY

JINDAL ALUMINIUM LTD.
BANGALORE-560073 (INDIA)

	NAME	DATE
DRAWN	DARPAN	16-10-2019
CHECKED		
APPROVED	B.NATARAJA	19-10-2019
SCALE		1:1
AREA mm ²		2773.241
PERIMETER mm.		219.911
WEIGHT kg/m		7.488
DRAWING No.	SECTION No.	
P-20244	-	
13746	13746	

1. ALL DIMENSIONS ARE IN mm.
2. ROUND OFF ALL SHARP CORNERS WITH 0.40 mm.
3. TOLERANCES WILL BE AS PER IS:2673-2002 , UNLESS OTHERWISE SPECIFIED

PARTY'S NAME	ROTARY CONNECTORS PVT. LTD., BANGALORE
PARTY'S DRAWING No.	AS PER SPECIFICATION
ALLOY & TEMPER	6061 T6
DESCRIPTION	ROUND TUBE