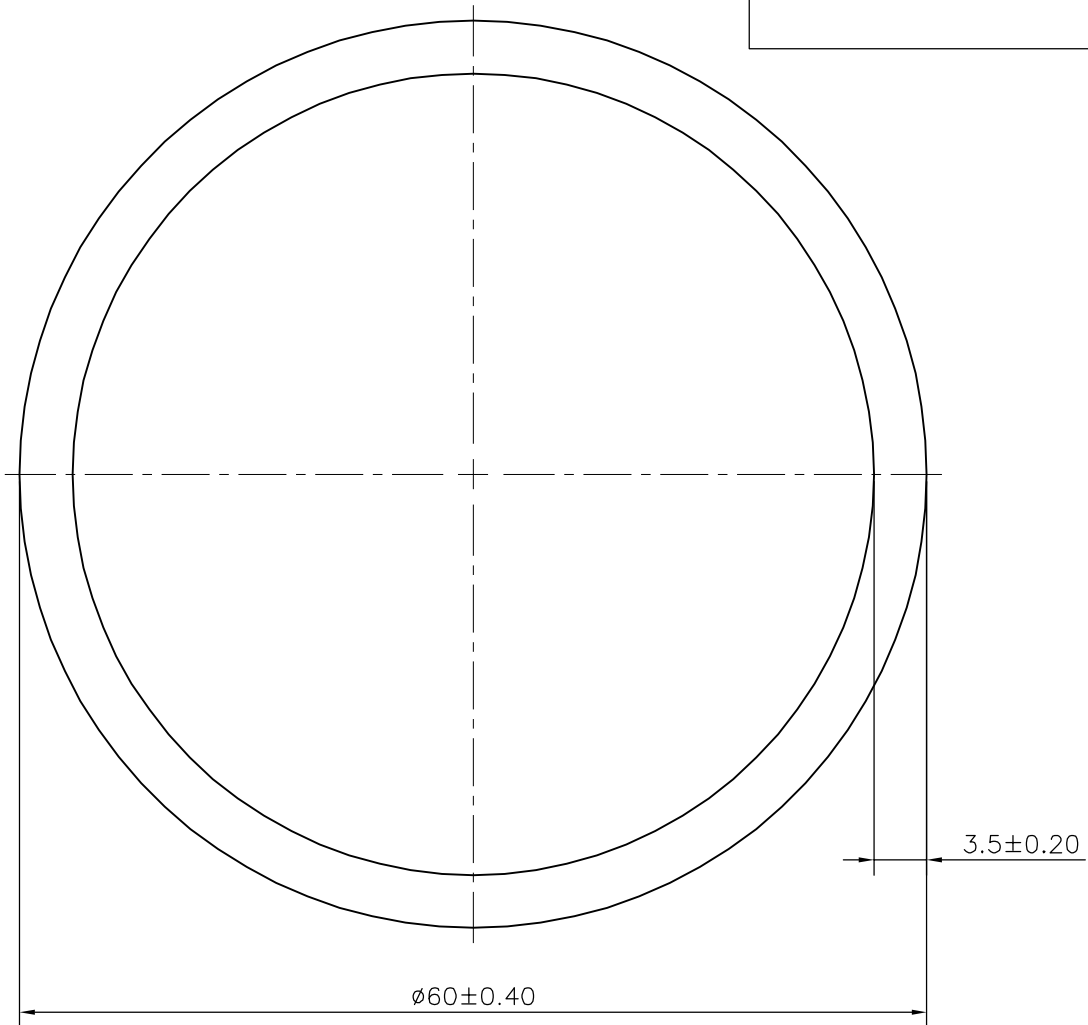
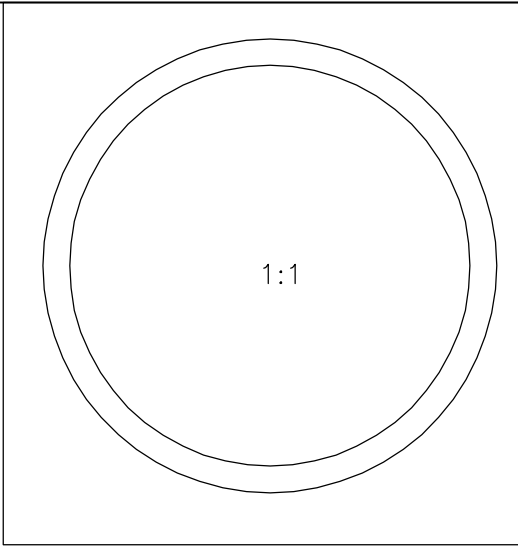


P-20365-1

13748



SYMBOL OF QUALITY
AN ISO 9001 COMPANY

JINDAL ALUMINIUM LTD.
BANGALORE-560073 (INDIA)

	NAME	DATE
DRAWN	J.P.KAUSHIK	06-11-2019
CHECKED		
APPROVED	B.NATARAJA	07-11-2019

1. ALL DIMENSIONS ARE IN mm.
2. ROUND OFF ALL SHARP CORNERS WITH 0.40 mm.
3. TOLERANCES WILL BE AS PER BS:EN-755-8 , UNLESS OTHERWISE SPECIFIED

SCALE	2:1
AREA mm ²	621.25
PERIMETER mm.	188.496
WEIGHT kg/m	1.677

PARTY'S NAME	SHINKO SHOJI SINGAPORE PTE LTD., SINGAPORE	DRAWING No.	SECTION No.
PARTY'S DRAWING No.	AS PER SPECIFICATION	P-20365-1	-
ALLOY & TEMPER	6063 T4	13748	13748
DESCRIPTION	ROUND TUBE		