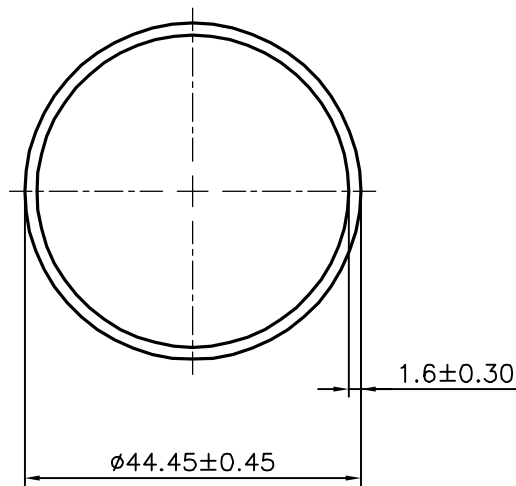


P-17272-1

S5441

13750



SYMBOL OF QUALITY  
AN ISO 9001 COMPANY

**JINDAL ALUMINIUM LTD.**  
BANGALORE-560073 (INDIA)

	NAME	DATE
DRAWN	J.P.KAUSHIK	24-06-2017
CHECKED		
APPROVED	J.N.RAI	03-07-2017
SCALE		1:1
AREA mm <sup>2</sup>		215.388
PERIMETER mm.		139.644
WEIGHT kg/m		0.582
DRAWING No.		SECTION No.
P-17272-1		-
S5441		S5441
13750		13750

1. ALL DIMENSIONS ARE IN mm.
2. ROUND OFF ALL SHARP CORNERS WITH 0.40 mm.
3. TOLERANCES WILL BE AS PER IS:2673-2002 , UNLESS OTHERWISE SPECIFIED

PARTY'S NAME	ASTUTE TECHNOLOGIES, BANGALORE
PARTY'S DRAWING No.	AS PER SPECIFICATION
ALLOY & TEMPER	6063 T6
DESCRIPTION	ROUND TUBE