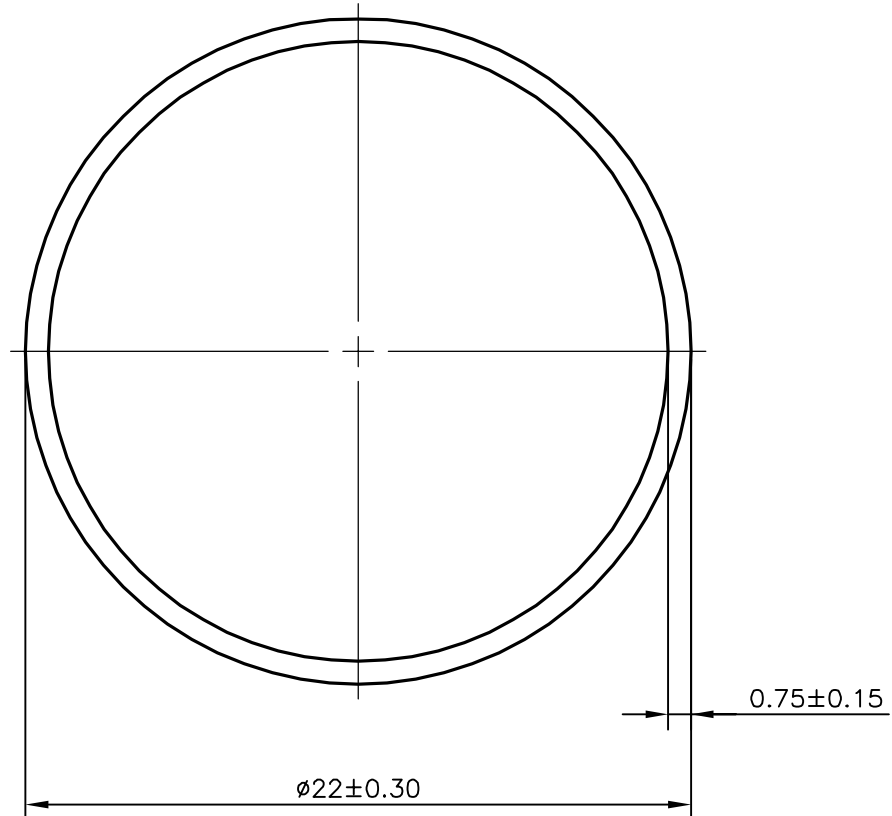


P-19772-1

S6350

13752

1:1



SYMBOL OF QUALITY  
AN ISO 9001 COMPANY

**JINDAL ALUMINIUM LTD.**  
BANGALORE-560073 (INDIA)

	NAME	DATE
DRAWN	J.P.KAUSHIK	05-07-2019
CHECKED		
APPROVED	B.NATARAJA	08-07-2019
SCALE		4:1
AREA mm <sup>2</sup>		50.069
PERIMETER mm.		69.115
WEIGHT kg/m		0.135
DRAWING No.		SECTION No.
P-19772-1		-
S6350		S6350
13752		13752

1. ALL DIMENSIONS ARE IN mm.
2. ROUND OFF ALL SHARP CORNERS WITH 0.40 mm.
3. TOLERANCES WILL BE AS PER IS:2673-2002 , UNLESS OTHERWISE SPECIFIED

PARTY'S NAME	MRINMOYEE SUPPLY PVT. LTD., KOLKATA
PARTY'S DRAWING No.	AS PER SPECIFICATION
ALLOY & TEMPER	HE9 WP
DESCRIPTION	ROUND TUBE