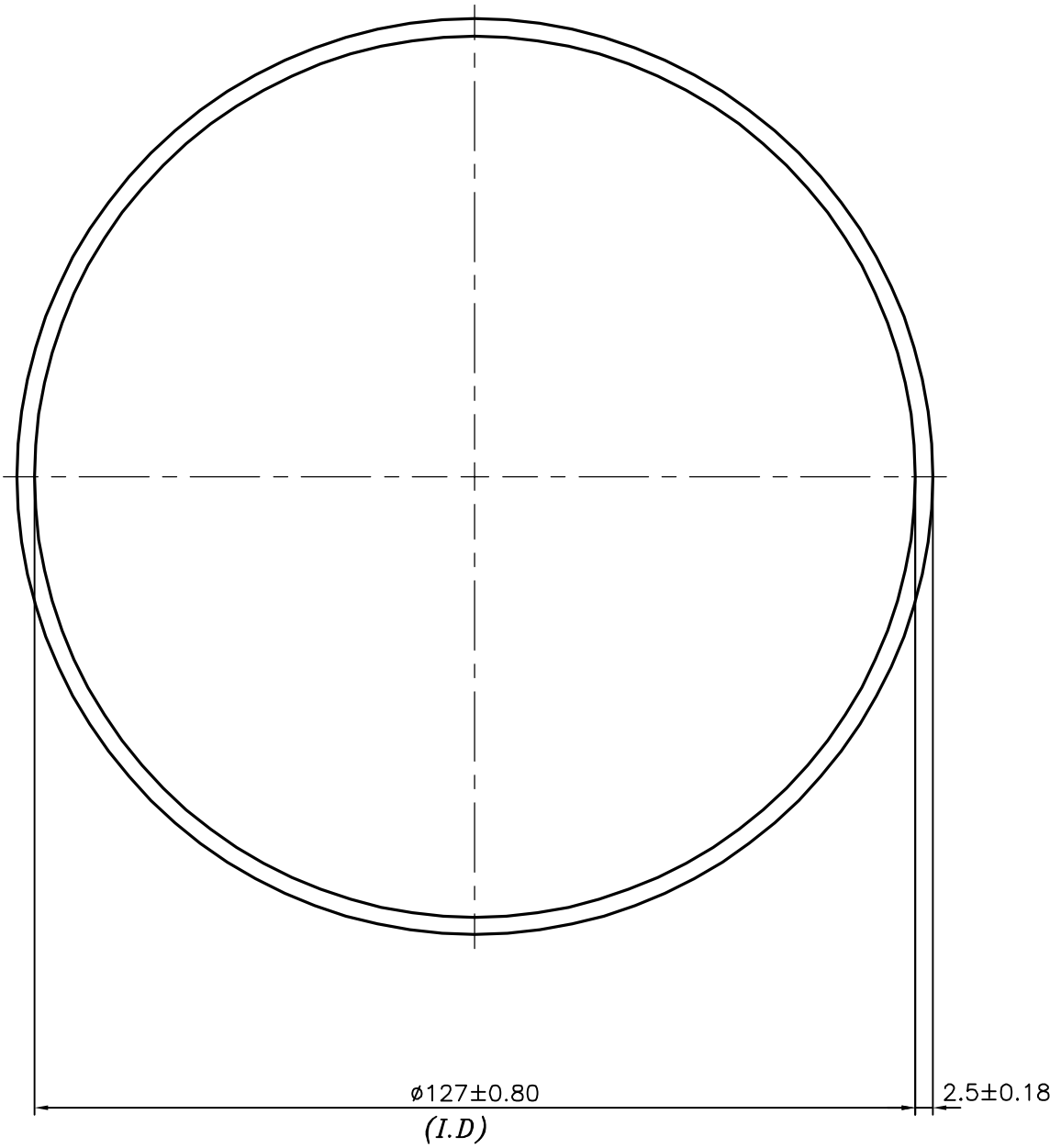


P-20560

13754



SYMBOL OF QUALITY
AN ISO 9001 COMPANY

JINDAL ALUMINIUM LTD.
BANGALORE-560073 (INDIA)

	NAME	DATE
DRAWN	J.P.KAUSHIK	28-12-2019
CHECKED		
APPROVED	B.NATARAJA	16-01-2020
SCALE		1:1
AREA mm ²		1017.091
PERIMETER mm.		414.69
WEIGHT kg/m		2.746
DRAWING No.	SECTION No.	
P-20560	-	
13754	13754	

1. ALL DIMENSIONS ARE IN mm.
2. ROUND OFF ALL SHARP CORNERS WITH 0.40 mm.
3. TOLERANCES WILL BE AS PER BS:EN-755-8 , UNLESS OTHERWISE SPECIFIED

PARTY'S NAME	HALCON SYSTEMS LLC, ABUDHABI
PARTY'S DRAWING No.	X0034-10132-203-000
ALLOY & TEMPER	6005 T6
DESCRIPTION	ROUND TUBE