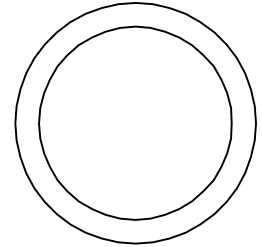


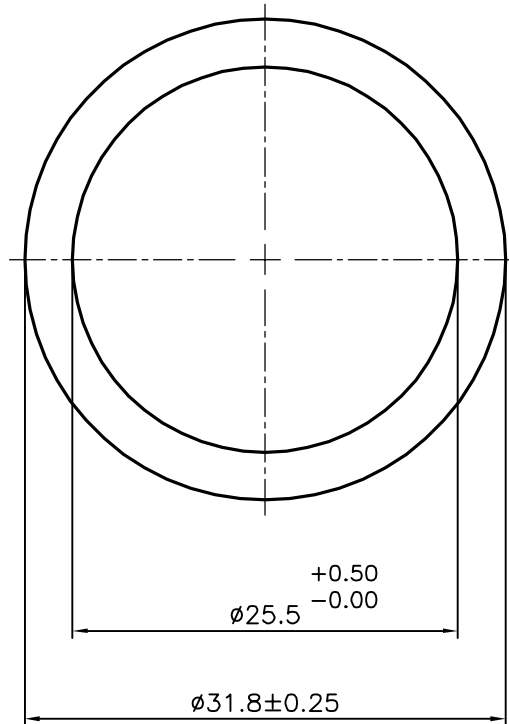
P-17264-1

S5560

13758



1:1



SYMBOL OF QUALITY
AN ISO 9001 COMPANY

JINDAL ALUMINIUM LTD.
BANGALORE-560073 (INDIA)

	NAME	DATE
DRAWN	J.P.KAUSHIK	30-10-2017
CHECKED		
APPROVED	B.NATARAJA	04-11-2017
SCALE		2:1
AREA mm ²		283.521
PERIMETER mm.		99.903
WEIGHT kg/m		0.766
DRAWING No.		SECTION No.
P-17264-1		-
S5560		S5560
13758		13758

1. ALL DIMENSIONS ARE IN mm.
2. ROUND OFF ALL SHARP CORNERS WITH 0.40 mm.
3. TOLERANCES WILL BE AS PER IS:2673-2002 , UNLESS OTHERWISE SPECIFIED

PARTY'S NAME	PERMALI WALLACE PVT. LTD., BHOPAL
PARTY'S DRAWING No.	AS PER SPECIFICATION
ALLOY & TEMPER	HE30 WP
DESCRIPTION	ROUND TUBE