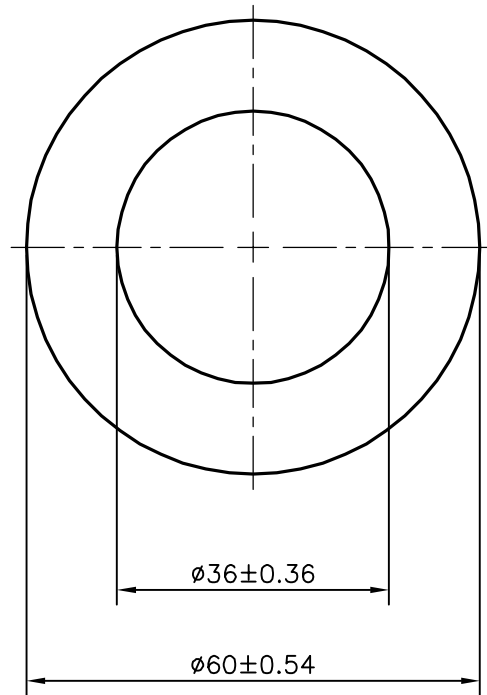


P-17727

S5647

13761



SYMBOL OF QUALITY
AN ISO 9001 COMPANY

JINDAL ALUMINIUM LTD.
BANGALORE-560073 (INDIA)

	NAME	DATE
DRAWN	J.P.KAUSHIK	21-12-2017
CHECKED		
APPROVED	B.NATARAJA	16-01-2018
SCALE		1:1
AREA mm ²		1809.557
PERIMETER mm.		188.496
WEIGHT kg/m		4.886
DRAWING No.		SECTION No.
P-17727		-
S5647		S5647
13761		13761

1. ALL DIMENSIONS ARE IN mm.
2. ROUND OFF ALL SHARP CORNERS WITH 0.40 mm.
3. TOLERANCES WILL BE AS PER,IS:2673-2002 UNLESS OTHERWISE SPECIFIED

PARTY'S NAME ASTUTE TECHNOLOGIES, BANGALORE

PARTY'S DRAWING No. AS PER SPECIFICATION

ALLOY & TEMPER 6063 T6

DESCRIPTION ROUND TUBE