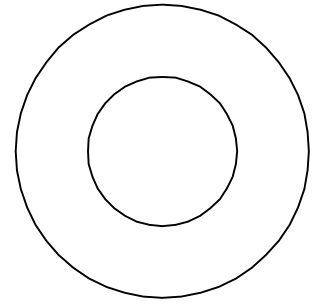


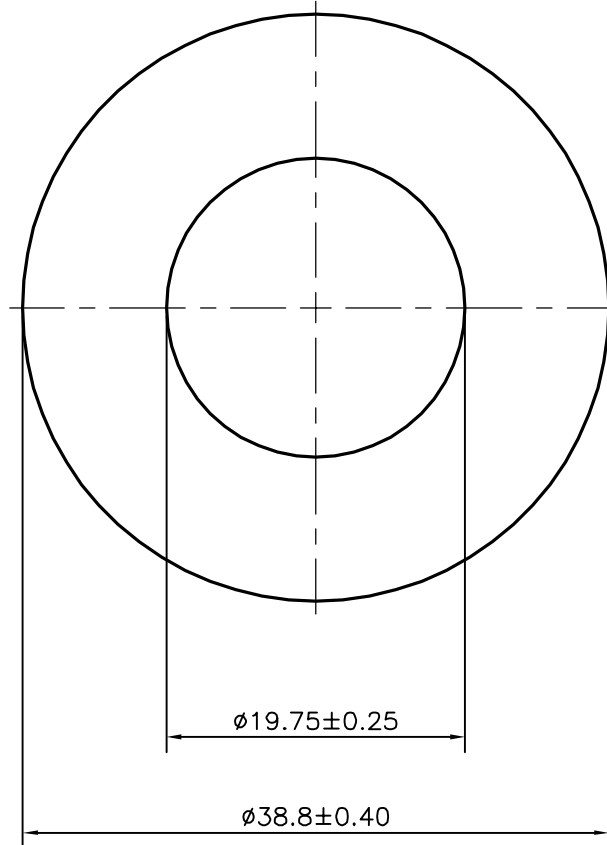
P-17779-1

S5648

13762



1:1



SYMBOL OF QUALITY
AN ISO 9001 COMPANY

JINDAL ALUMINIUM LTD.
BANGALORE-560073 (INDIA)

	NAME	DATE
DRAWN	J.P.KAUSHIK	13-01-2018
CHECKED		
APPROVED	B.NATARAJA	18-01-2018
SCALE		2:1
AREA mm ²		876.015
PERIMETER mm.		121.894
WEIGHT kg/m		2.365
DRAWING No.		SECTION No.
P-17779-1		-
S5648		S5648
13762		13762

1. ALL DIMENSIONS ARE IN mm.
2. ROUND OFF ALL SHARP CORNERS WITH 0.40 mm.
3. TOLERANCES WILL BE AS PER IS:2673-2002 , UNLESS OTHERWISE SPECIFIED

PARTY'S NAME	SICAME INDIA CONNECTORS PVT. LTD., KANCHHEPURAM
PARTY'S DRAWING No.	F10089011
ALLOY & TEMPER	6060 T4
DESCRIPTION	ROUND TUBE