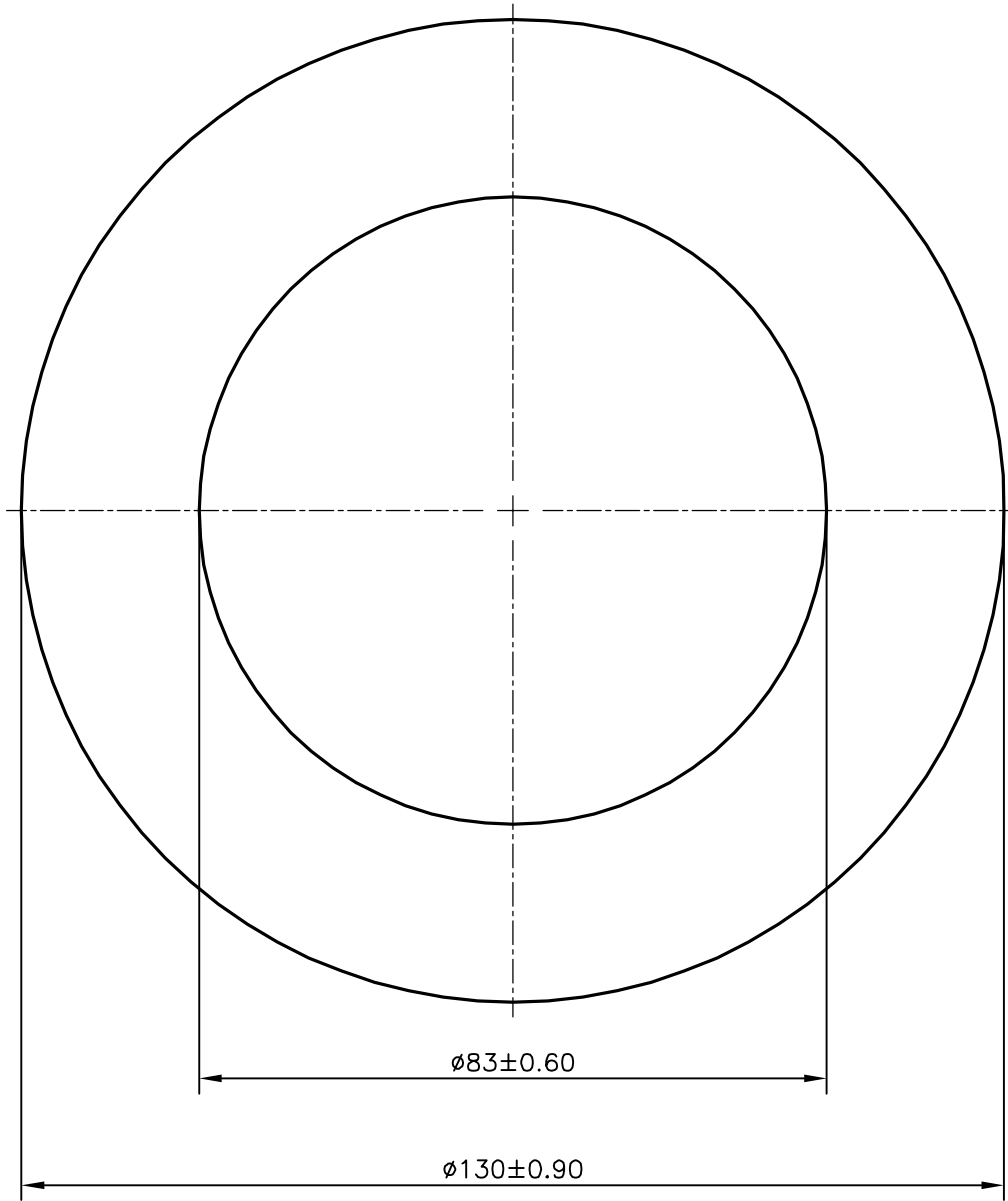


P-20930

13764



SYMBOL OF QUALITY
AN ISO 9001 COMPANY

JINDAL ALUMINIUM LTD.
BANGALORE-560073 (INDIA)

	NAME	DATE
DRAWN	J.P.KAUSHIK	27-04-2020
CHECKED		
APPROVED	B.NATARAJA	21-05-2020
SCALE		1:1
AREA mm ²		7862.621
PERIMETER mm.		408.407
WEIGHT kg/m		21.229
DRAWING No.	SECTION No.	
P-20930	-	
13764	13764	

1. ALL DIMENSIONS ARE IN mm.
2. ROUND OFF ALL SHARP CORNERS WITH 0.40 mm.
3. TOLERANCES WILL BE AS PER BS:EN-755-9 , UNLESS OTHERWISE SPECIFIED

PARTY'S NAME	HALCON SYSTEMS LLC, ABUDHABI
PARTY'S DRAWING No.	AS PER SPECIFICATION
ALLOY & TEMPER	6082 T6
DESCRIPTION	ROUND TUBE