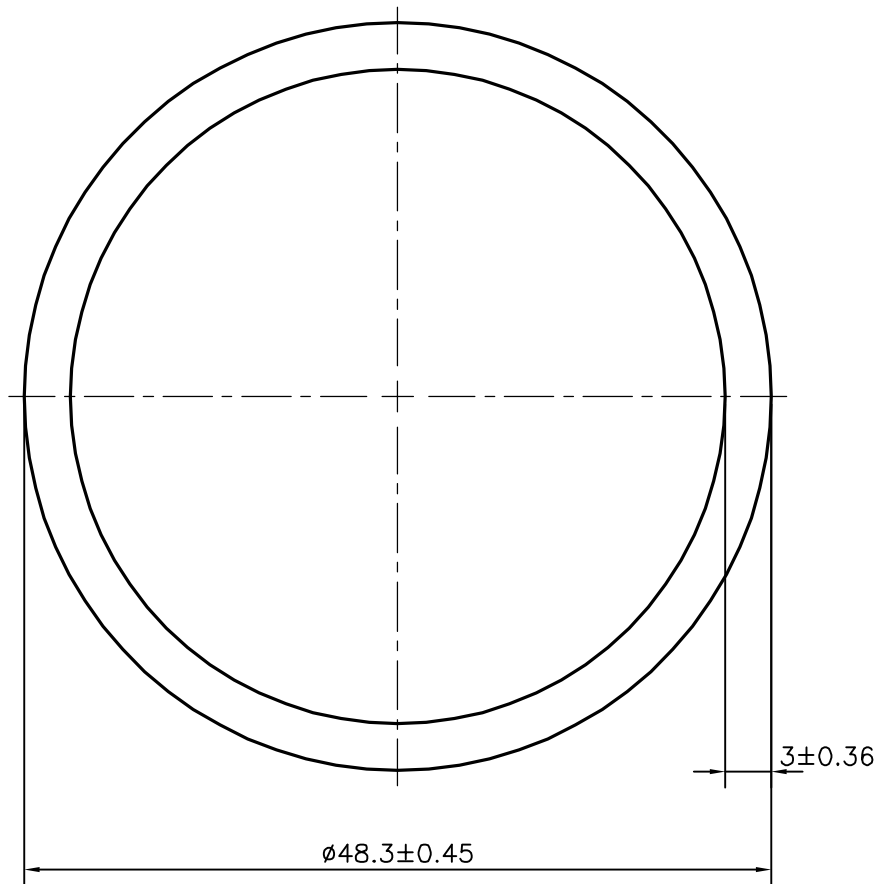
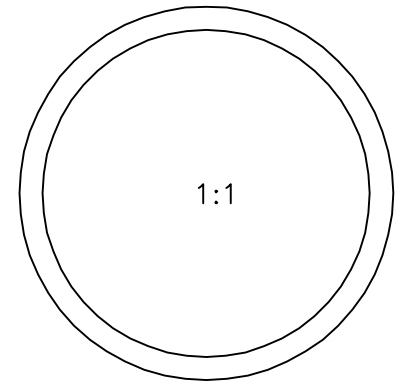


P-21026

13767



SYMBOL OF QUALITY  
AN ISO 9001 COMPANY

**JINDAL ALUMINIUM LTD.**  
**BANGALORE-560073 (INDIA)**

	NAME	DATE
DRAWN	J.P.KAUSHIK	01-06-2020
CHECKED		
APPROVED	B.NATARAJA	26-06-2020
SCALE		2:1
AREA mm <sup>2</sup>		426.942
PERIMETER mm.		151.739
WEIGHT kg/m		1.153

1. ALL DIMENSIONS ARE IN mm.
2. ROUND OFF ALL SHARP CORNERS WITH 0.40 mm.
3. TOLERANCES WILL BE AS PER IS:2673-2002, UNLESS OTHERWISE SPECIFIED

PARTY'S NAME	TURBO INDUSTRIES PVT. LTD., LUDHIANA	DRAWING No.	SECTION No.
PARTY'S DRAWING No.	AS PER DRAWING	P-21026	-
ALLOY & TEMPER	6061 T6	13767	13767
DESCRIPTION	ROUND TUBE		