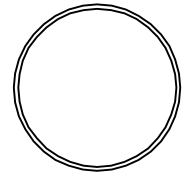
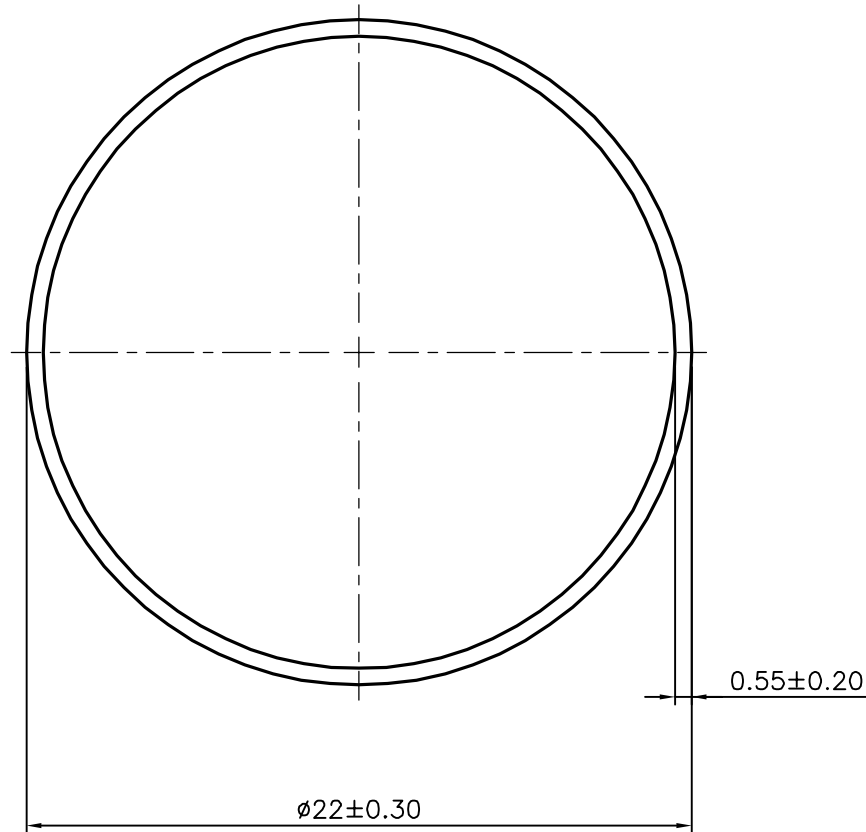


P-20890

13770



1:1



SYMBOL OF QUALITY  
AN ISO 9001 COMPANY

**JINDAL ALUMINIUM LTD.**  
BANGALORE-560073 (INDIA)

	NAME	DATE
DRAWN	J.P.KAUSHIK	14-03-2020
CHECKED		
APPROVED	B.NATARAJA	26-06-2020
SCALE		4:1
AREA mm <sup>2</sup>		37.063
PERIMETER mm.		69.115
WEIGHT kg/m		0.100
DRAWING No.	SECTION No.	
P-20890	-	
13770	13770	

1. ALL DIMENSIONS ARE IN mm.
2. ROUND OFF ALL SHARP CORNERS WITH 0.40 mm.
3. TOLERANCES WILL BE AS PER IS:2673-2002 UNLESS OTHERWISE SPECIFIED

PARTY'S NAME	WEG INDUSTRIAL INDIA PVT. LTD., HOSUR
PARTY'S DRAWING No.	AS PER SPECIFICATION
ALLOY & TEMPER	HE9 WP
DESCRIPTION	ROUND TUBE