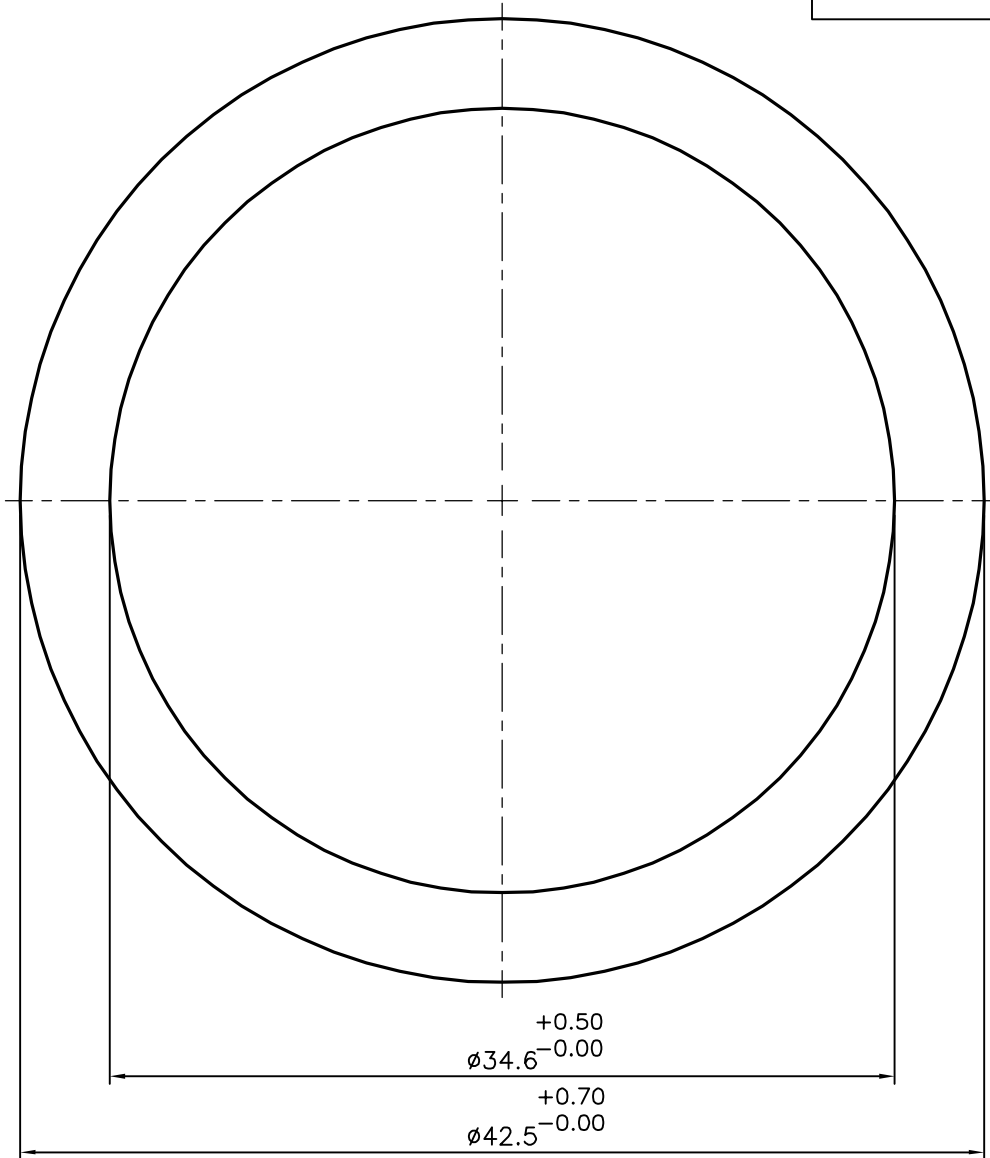
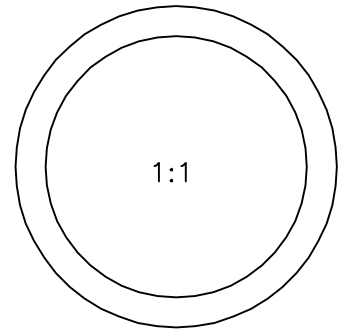



P-20901

13772



ECCENTRICITY TOLERANCE:-  $\pm 0.15$

 SYMBOL OF QUALITY AN ISO 9001 COMPANY	<b>JINDAL ALUMINIUM LTD.</b> BANGALORE-560073 (INDIA)	NAME		DATE
		DRAWN	J.P.KAUSHIK	17-03-2020
1. ALL DIMENSIONS ARE IN mm. 2. ROUND OFF ALL SHARP CORNERS WITH 0.40 mm. 3. TOLERANCES WILL BE AS PER IS:2673-2002 UNLESS OTHERWISE SPECIFIED		CHECKED		
		APPROVED	<b>B.NATARAJA</b>	08-07-2020
PARTY'S NAME PRECI MECH INDUSTRIES, BANGALORE		SCALE		3:1
		AREA mm <sup>2</sup>		478.378
PARTY'S DRAWING No. AS PER DRAWING-2		PERIMETER mm.		133.518
		WEIGHT kg/m		1.292
ALLOY & TEMPER 6063 T6		DRAWING No.		SECTION No.
		P-20901		-
DESCRIPTION ROUND TUBE		13772		13772