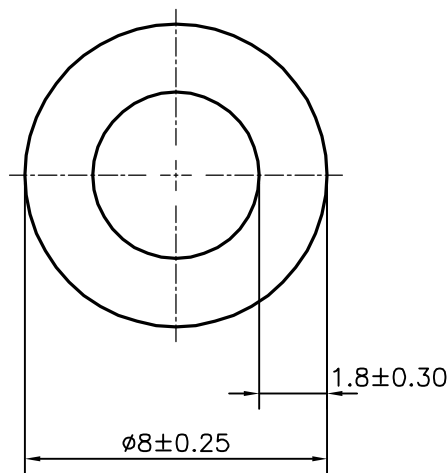


P-21221

13775



1:1



WEIGHT RANGE :-0.076 kg/m TO 0.114 kg/m

SYMBOL OF QUALITY
AN ISO 9001 COMPANY**JINDAL ALUMINIUM LTD.**
BANGALORE-560073 (INDIA)

	NAME	DATE
DRAWN	J.P.KAUSHIK	25-07-2020
CHECKED		
APPROVED	B.NATARAJA	28-07-2020
SCALE		5:1
AREA mm ²		35.06
PERIMETER mm.		25.133
WEIGHT kg/m		0.095
DRAWING No.		SECTION No.
P-21221		-
13775		13775

1. ALL DIMENSIONS ARE IN mm.
2. ROUND OFF ALL SHARP CORNERS WITH 0.40 mm.
3. TOLERANCES WILL BE AS PER IS:2673-2002 , UNLESS OTHERWISE SPECIFIED

PARTY'S NAME	KOHLI ALUMINIUM & HARDWARE, NEW DELHI
PARTY'S DRAWING No.	AS PER SPECIFICATION
ALLOY & TEMPER	6063 T6
DESCRIPTION	ROUND TUBE