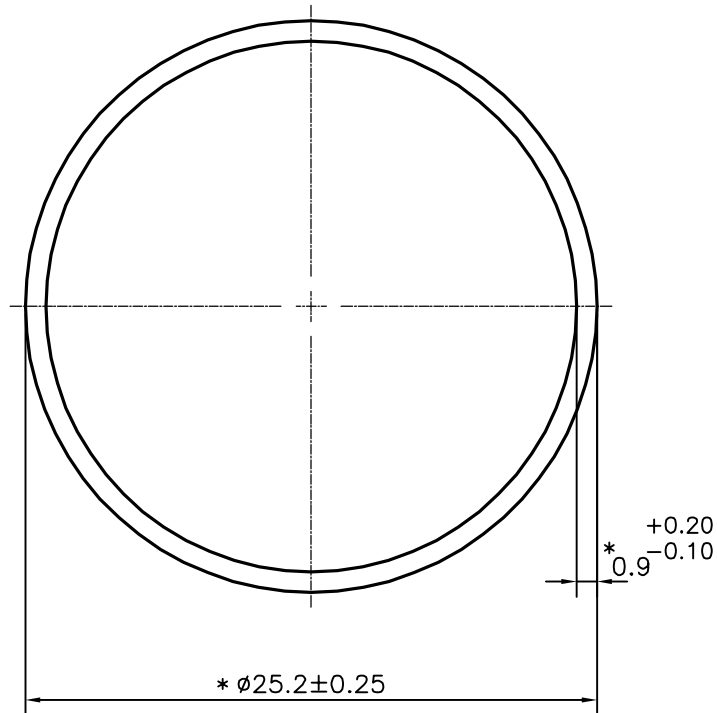



P-21182

13776

1:1



* MARKED CRITICAL DIMENSIONS

 SYMBOL OF QUALITY AN ISO 9001 COMPANY	JINDAL ALUMINIUM LTD. BANGALORE-560073 (INDIA)	DRAWN	J.P.KAUSHIK	16-07-2020
		CHECKED		
1. ALL DIMENSIONS ARE IN mm. 2. ROUND OFF ALL SHARP CORNERS WITH 0.40 mm. 3. TOLERANCES WILL BE AS PER IS:2673-2002 , UNLESS OTHERWISE SPECIFIED		APPROVED	B.NATARAJA	08-08-2020
		SCALE		3:1
PARTY'S NAME		JAYANITA EXPORTS PVT. LTD., GREATER NOIDA	AREA mm ²	68.707
			PERIMETER mm.	79.168
PARTY'S DRAWING No.		00501-62	WEIGHT kg/m	0.186
			DRAWING No.	SECTION No.
ALLOY & TEMPER		6063 T5	P-21182	-
			13776	13776
DESCRIPTION		ROUND TUBE		