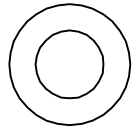


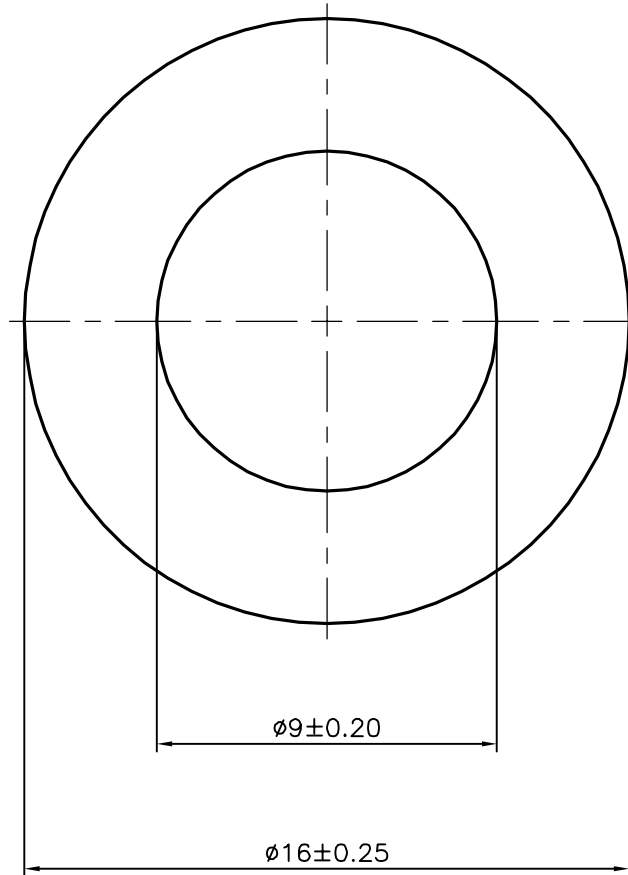
P-17832

S5733

13778



1:1



SYMBOL OF QUALITY
AN ISO 9001 COMPANY

JINDAL ALUMINIUM LTD.
BANGALORE-560073 (INDIA)

	NAME	DATE
DRAWN	J.P.KAUSHIK	02-02-2018
CHECKED		
APPROVED	B.NATARAJA	20-03-2018
SCALE		5:1
AREA mm ²		137.445
PERIMETER mm.		50.265
WEIGHT kg/m		0.371
DRAWING No.		SECTION No.
P-17832		-
S5733		S5733
13778		13778

1. ALL DIMENSIONS ARE IN mm.
2. ROUND OFF ALL SHARP CORNERS WITH 0.40 mm.
3. TOLERANCES WILL BE AS PER IS:2673-2002 , UNLESS OTHERWISE SPECIFIED

PARTY'S NAME	RABWIN INDUSTRIES PVT. LTD., COIMBATORE
PARTY'S DRAWING No.	AS PER SPECIFICATION
ALLOY & TEMPER	6082 T6
DESCRIPTION	ROUND TUBE