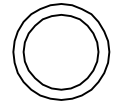


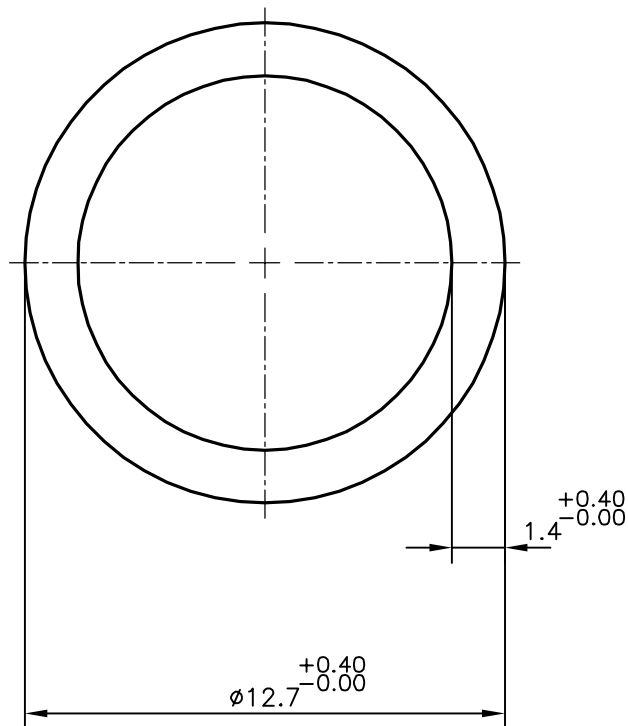
P-18037

S5757

13779



1:1



SYMBOL OF QUALITY
AN ISO 9002 COMPANY

JINDAL ALUMINIUM LTD.
BANGALORE-560073 (INDIA)

	NAME	DATE
DRAWN	J.P.KAUSHIK	07-04-2018
CHECKED		
APPROVED	B.NATARAJA	09-04-2018
SCALE		5:1
AREA mm ²		49.7
PERIMETER mm.		39.898
WEIGHT kg/m		0.134
DRAWING No.	SECTION No.	
P-18037	-	
S5757	S5757	
13779	13779	

1. ALL DIMENSIONS ARE IN mm.
2. ROUND OFF ALL SHARP CORNERS WITH 0.40 mm.
3. TOLERANCES WILL BE AS PER IS:2673-2002 , UNLESS OTHERWISE SPECIFIED

PARTY'S NAME	YOHALAKSHMI INDUSTRIES, KANCHEEPURAM
PARTY'S DRAWING No.	AS PER SAMPLE
ALLOY & TEMPER	HE9 WP
DESCRIPTION	ROUND TUBE