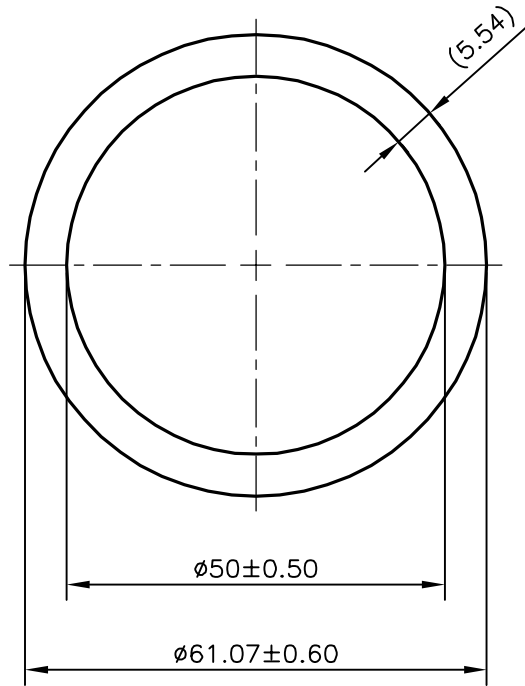



P-21749

13782



AVERAGE WEIGHT:-2.347 kg/m TO 2.867 kg/m

 SYMBOL OF QUALITY AN ISO 9001 COMPANY	JINDAL ALUMINIUM LTD. BANGALORE-560073 (INDIA)		NAME	DATE
		DRAWN	J.P.KAUSHIK	05-11-2020
1. ALL DIMENSIONS ARE IN mm. 2. ROUND OFF ALL SHARP CORNERS WITH 0.40 mm. 3. TOLERANCES WILL BE AS PER IS:2673-2002 UNLESS OTHERWISE SPECIFIED		CHECKED		
		APPROVED	B.NATARAJA	16-11-2020
PARTY'S NAME SUDHAN TECH, SALEM		SCALE		1:1
		AREA mm ²		965.682
PARTY'S DRAWING No. AS PER DRAWING		PERIMETER mm.		191.857
		WEIGHT kg/m		2.607
ALLOY & TEMPER 19501 M		DRAWING No.	SECTION No.	
		P-21749	-	
DESCRIPTION ROUND TUBE		13782	13782	