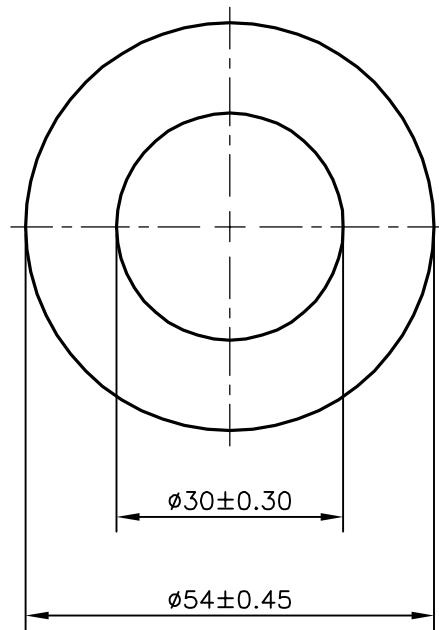



P-21768

13783



AVERAGE WEIGHT:-3.848 kg/m TO 4.702 kg/m

 SYMBOL OF QUALITY AN ISO 9001 COMPANY	JINDAL ALUMINIUM LTD. BANGALORE-560073 (INDIA)		NAME	DATE
		DRAWN	J.P.KAUSHIK	10-11-2020
1. ALL DIMENSIONS ARE IN mm. 2. ROUND OFF ALL SHARP CORNERS WITH 0.40 mm. 3. TOLERANCES WILL BE AS PER IS:2673-2002 UNLESS OTHERWISE SPECIFIED		CHECKED		
		APPROVED	B.NATARAJA	17-11-2020
PARTY'S NAME VENSUN TECO LINKS PVT. LTD., CHENNAI		SCALE		1:1
		AREA mm ²		1583.363
PARTY'S DRAWING No. AS PER SPECIFICATION		PERIMETER mm.		169.646
		WEIGHT kg/m		4.275
ALLOY & TEMPER 6060 T4		DRAWING No.	SECTION No.	
		P-21768	-	
DESCRIPTION ROUND TUBE		13783	13783	