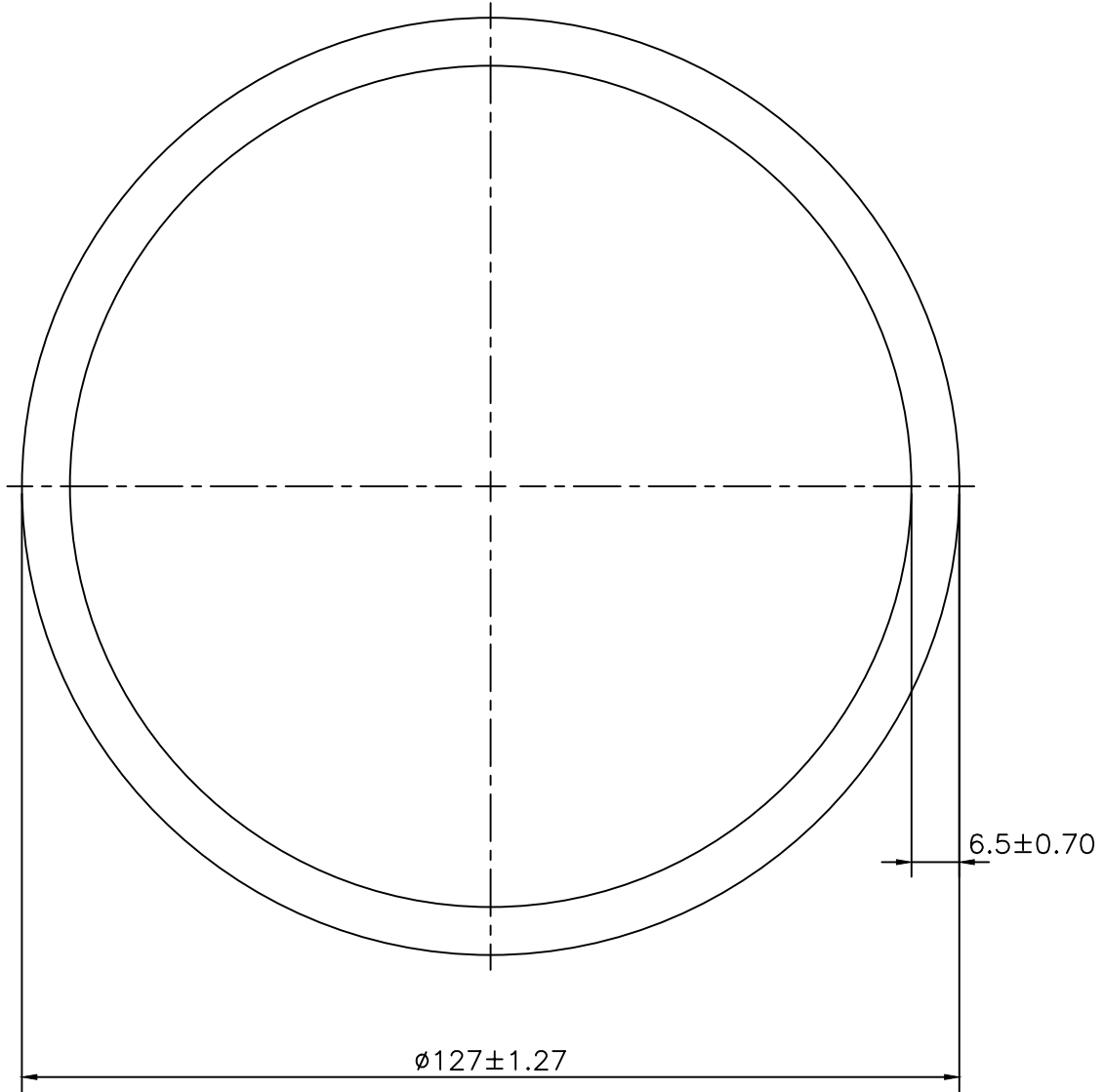


P-22893

13816



OVALITY: $-\pm 1.27$ mm

APPROXIMATE WEIGHT RANGE -5.900 - 7.394 kg/m



SYMBOL OF QUALITY
AN ISO 9001 COMPANY

JINDAL ALUMINIUM LTD.
BANGALORE-560073 (INDIA)

	NAME	DATE
DRAWN	J.P.KAUSHIK	20-08-2021
CHECKED		
APPROVED	B.NATARAJA	27-08-2021
SCALE		1:1
AREA mm ²		2460.652
PERIMETER mm.		398.982
WEIGHT kg/m		6.644
DRAWING No.		SECTION No.
P-22893		-
13816		13816

1. ALL DIMENSIONS ARE IN mm.
2. ROUND OFF ALL SHARP CORNERS WITH 0.40 mm.
3. TOLERANCES WILL BE AS PER IS:2673-2002 , UNLESS OTHERWISE SPECIFIED

PARTY'S NAME	SUMIT CORPORATION, BHIWANDI
PARTY'S DRAWING No.	AS PER SPECIFICATION
ALLOY & TEMPER	6063 T6
DESCRIPTION	ROUND TUBE