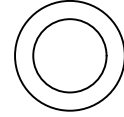
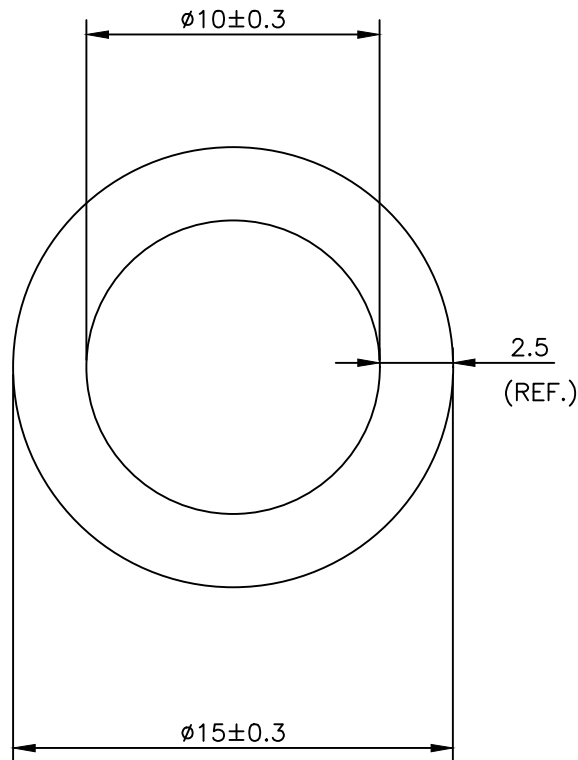


IAL-B-342

13841



SCALE: 1:1



SYMBOL OF QUALITY
AN ISO 9001 COMPANY

JINDAL ALUMINIUM LTD.
BANGALORE-560073 (INDIA)

	NAME	DATE
DRAWN	S.K.SHARMA	20-12-2021
CHECKED		
APPROVED		

1. ALL DIMENSIONS ARE IN mm.
2. ROUND OFF ALL SHARP CORNERS WITH 0.40 mm.
3. TOLERANCES WILL BE AS PER BS:EN-755-9 , UNLESS OTHERWISE SPECIFIED

SCALE	1:1&4:1
AREA mm ²	98.2
PERIMETER mm.	47.1
WEIGHT kg/m	0.265

DRAWING No.	SECTION No.
IAL-B-342	-
13841	13841

PARTY'S NAME	M/S. AERONAV
PARTY'S DRAWING No.	AS PER DRAWING
ALLOY & TEMPER	6063-T6
DESCRIPTION	ROUND TUBE