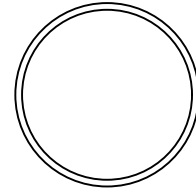


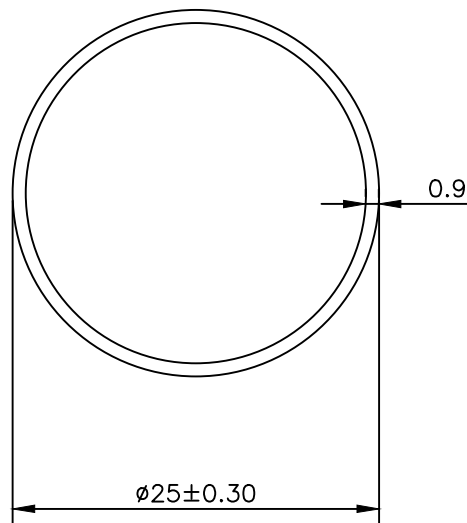
IAL-B-135


13843



WT.RANGE:-0.600 TO 0.650 KG/12'

SCALE: 1:1



 SYMBOL OF QUALITY AN ISO 9001 COMPANY	<b>JINDAL ALUMINIUM LTD.</b> BANGALORE-560073 (INDIA)	NAME	DATE
		DRAWN	S.K.SHARMA 11-02-2022
1. ALL DIMENSIONS ARE IN mm. 2. ROUND OFF ALL SHARP CORNERS WITH 0.40 mm. 3. TOLERANCES WILL BE AS PER BS:EN-755-9 , UNLESS OTHERWISE SPECIFIED		CHECKED	
		APPROVED	
PARTY'S NAME MARKET		SCALE	1:1&2:1
		AREA mm <sup>2</sup>	64.50
PARTY'S DRAWING No. AS PER DRAWING		PERIMETER mm.	78.57
		WEIGHT kg/m	0.174
ALLOY & TEMPER 6063 T6		DRAWING No.	SECTION No.
		IAL-B-135	-
DESCRIPTION ROUND TUBE		13843	13843