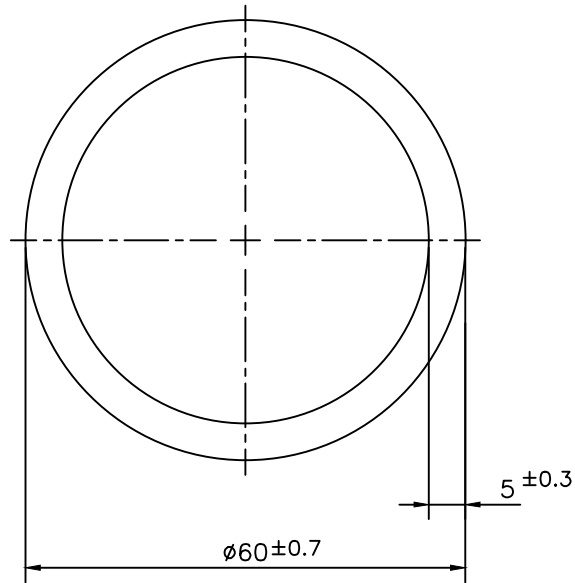



IAL-B-346

13844



 SYMBOL OF QUALITY AN ISO 9001 COMPANY	<b>JINDAL ALUMINIUM LTD.</b> BANGALORE-560073 (INDIA)		NAME	DATE
		DRAWN	PARVESH	11-12-2021
		CHECKED		
1. ALL DIMENSIONS ARE IN mm. 2. ROUND OFF ALL SHARP CORNERS WITH 0.40 mm. 3. TOLERANCES WILL BE AS PER IS:2673-2002 , UNLESS OTHERWISE SPECIFIED		APPROVED		
		SCALE		1:1
		AREA mm <sup>2</sup>		863.938
PARTY'S NAME		PERIMETER mm.		188.496
		WEIGHT kg/m		2.332
PARTY'S DRAWING No.		DRAWING No.		SECTION No.
		IAL-B-346		-
ALLOY & TEMPER		13844		13844
DESCRIPTION				