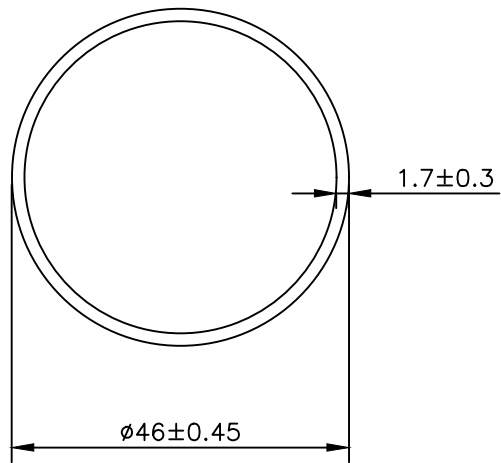



IAL-B-155
13845



 SYMBOL OF QUALITY AN ISO 9001 COMPANY	JINDAL ALUMINIUM LTD. BANGALORE-560073 (INDIA)	NAME	DATE
		DRAWN	S.K.SHARMA 14-12-2021
1. ALL DIMENSIONS ARE IN mm. 2. ROUND OFF ALL SHARP CORNERS WITH 0.40 mm. 3. TOLERANCES WILL BE AS PER BS:EN-755-9 , UNLESS OTHERWISE SPECIFIED		CHECKED	
		APPROVED	
PARTY'S NAME MARKET		SCALE	1:1
		AREA mm ²	236.6
PARTY'S DRAWING No. AS PER DRAWING		PERIMETER mm.	144.51
		WEIGHT kg/m	0.639
ALLOY & TEMPER HE9WP		DRAWING No.	SECTION No.
		IAL-B-155	-
DESCRIPTION ROUND TUBE		13845	13845