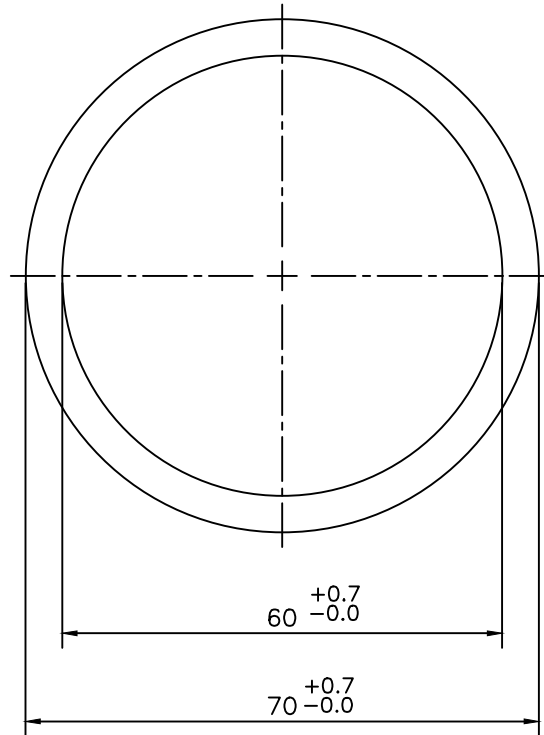


IAL-B-368

13846



SYMBOL OF QUALITY  
AN ISO 9001 COMPANY

**JINDAL ALUMINIUM LTD.**  
**BANGALORE-560073 (INDIA)**

	NAME	DATE
DRAWN	PARVESH	21-12-2021
CHECKED		
APPROVED		
SCALE		1:1
AREA mm <sup>2</sup>		1021.018
PERIMETER mm.		219.911
WEIGHT kg/m		2.757
DRAWING No.	SECTION No.	
IAL-B-368	-	
13846	13846	

1. ALL DIMENSIONS ARE IN mm.
2. ROUND OFF ALL SHARP CORNERS WITH 0.40 mm.
3. TOLERANCES WILL BE AS PER IS:2673-2002 , UNLESS OTHERWISE SPECIFIED

PARTY'S NAME	-
PARTY'S DRAWING No.	AS PER DRAWING
ALLOY & TEMPER	6063 T6
DESCRIPTION	ROUND TUBE