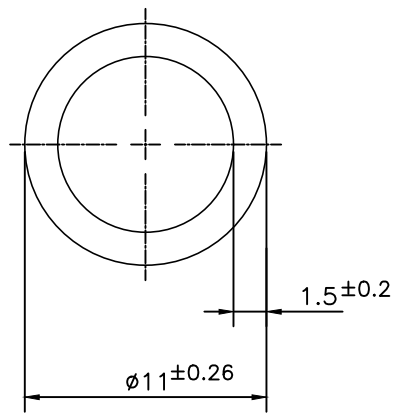



IAL-B-217

13848



SCALE:- 1:1



 SYMBOL OF QUALITY AN ISO 9001 COMPANY	<b>JINDAL ALUMINIUM LTD.</b> <b>BANGALORE-560073 (INDIA)</b>	NAME		DATE
		DRAWN	PARVESH	29-12-2021
1. ALL DIMENSIONS ARE IN mm. 2. ROUND OFF ALL SHARP CORNERS WITH 0.40 mm. 3. TOLERANCES WILL BE AS PER IS:2673-2002 , UNLESS OTHERWISE SPECIFIED		SCALE		3:1
		AREA mm <sup>2</sup>		44.768
PARTY'S NAME		PERIMETER mm.		34.558
		WEIGHT kg/m		0.121
PARTY'S DRAWING No.		DRAWING No.		SECTION No.
		IAL-B-217		-
ALLOY & TEMPER		13848		13848
DESCRIPTION				
ROUND TUBE				