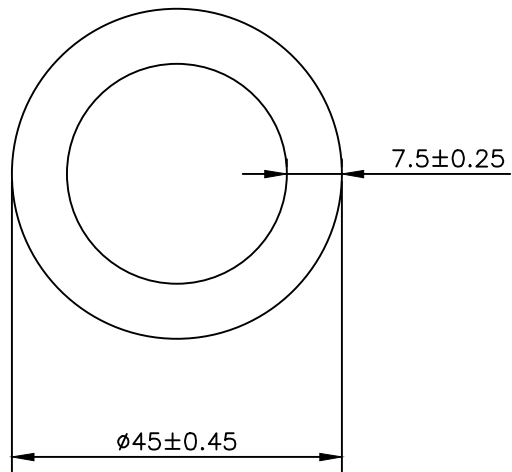



IAL-B-101
13851



 SYMBOL OF QUALITY AN ISO 9001 COMPANY	JINDAL ALUMINIUM LTD. BANGALORE-560073 (INDIA)	NAME	DATE
		DRAWN	S.K.SHARMA 03-01-2022
1. ALL DIMENSIONS ARE IN mm. 2. ROUND OFF ALL SHARP CORNERS WITH 0.40 mm. 3. TOLERANCES WILL BE AS PER BS:EN-755-9 , UNLESS OTHERWISE SPECIFIED		CHECKED	
		APPROVED	
PARTY'S NAME M/S. MARKET		SCALE	1:1
		AREA mm ²	883.1
PARTY'S DRAWING No. AS PER DRAWING		PERIMETER mm.	141.3
		WEIGHT kg/m	2.384
ALLOY & TEMPER 6063-T6		DRAWING No.	SECTION No.
		IAL-B-101	-
DESCRIPTION ROUND TUBE		13851	13851