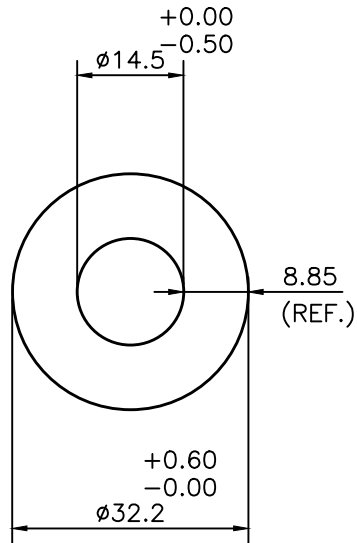



IAL-B-234
13858



 SYMBOL OF QUALITY AN ISO 9001 COMPANY	JINDAL ALUMINIUM LTD. BANGALORE-560073 (INDIA)	NAME		DATE
		DRAWN	S.K.SHARMA	19-01-2022
1. ALL DIMENSIONS ARE IN mm. 2. ROUND OFF ALL SHARP CORNERS WITH 0.40 mm. 3. TOLERANCES WILL BE AS PER BS:EN-755-9 , UNLESS OTHERWISE SPECIFIED		SCALE		1:1
		AREA mm ²		649.2
PARTY'S NAME MARKET		PERIMETER mm.		101.16
		WEIGHT kg/m		1.753
PARTY'S DRAWING No. AS PER DRAWING		DRAWING No.		SECTION No.
		IAL-B-234		-
ALLOY & TEMPER 6061 T6		13858		13858
DESCRIPTION ROUND TUBE				