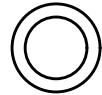
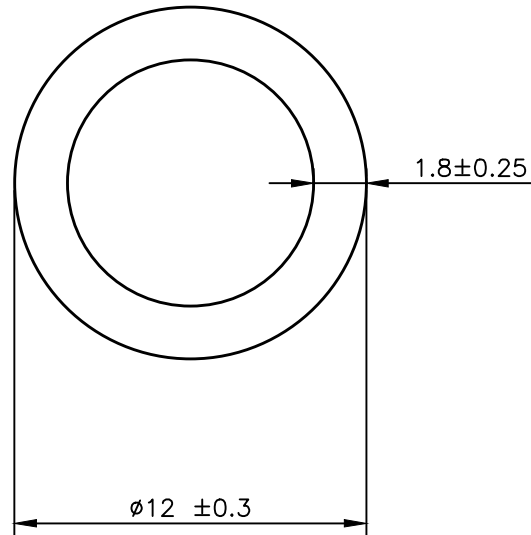



IAL-B-435

13859



SCALE: 1:1



 SYMBOL OF QUALITY AN ISO 9001 COMPANY	JINDAL ALUMINIUM LTD. BANGALORE-560073 (INDIA)	NAME	DATE
		DRAWN	S.K.SHARMA 08-02-2022
1. ALL DIMENSIONS ARE IN mm. 2. ROUND OFF ALL SHARP CORNERS WITH 0.40 mm. 3. TOLERANCES WILL BE AS PER BS:EN-755-9 , UNLESS OTHERWISE SPECIFIED		CHECKED	
		APPROVED	
PARTY'S NAME M/S. JOHNSON		SCALE	1:1&4:1
		AREA mm ²	57.7
PARTY'S DRAWING No. AS PER DRAWING		PERIMETER mm.	37.7
		WEIGHT kg/m	0.156
ALLOY & TEMPER 6063-T6		DRAWING No.	SECTION No.
		IAL-B-435	-
DESCRIPTION ROUND TUBE SECTION		13859	13859