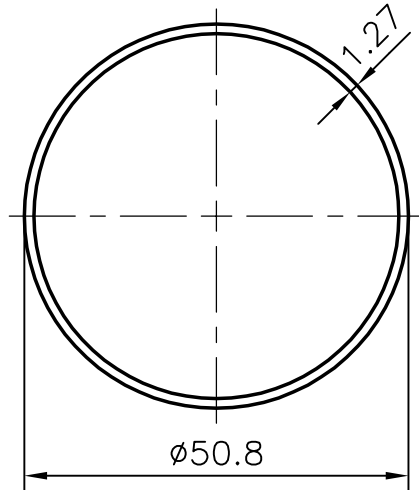


2382

13981



***JINDAL ALUMINIUM LTD.***  
***BANGALORE-560073***

NAME

DATE

DRAWN

R.D.Sharma

25-8-95

CHECKED

APPROVED

1. ALL DIMENSIONS ARE IN mm.
2. ROUND OFF ALL SHARP CORNERS WITH 0.4 mm.
3. TOLERANCES WILL BE AS PER IS : 7092 (PART 2) -1987  
UNLESS OTHERWISE SPECIFIED

PARTY'S NAME

-

SCALE

1:1

PARTY'S DRAWING No.

-

WEIGHT kg/m

0.534

ALLOY &amp; TEMPER

HE9 WP

SECTION No.

13981

LENGTH

AS REQUIRED

DRAWING No.

DESCRIPTION

IRRIGATION TUBE

13981