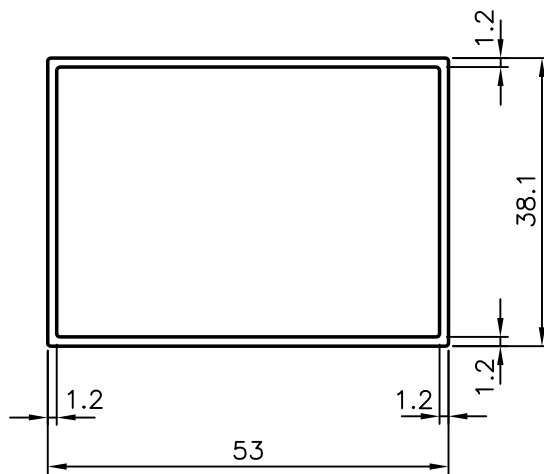



P-9444
S2264
14119



 SYMBOL OF QUALITY AN ISO 9001 COMPANY	JINDAL ALUMINIUM LTD. BANGALORE-560073 (INDIA)	NAME		DATE
		DRAWN	J.P.KAUSHIK	21-08-2009
1. ALL DIMENSIONS ARE IN mm. 2. ROUND OFF ALL SHARP CORNERS WITH 0.4mm. 3. TOLERANCES WILL BE AS PER IS:6477-1983 UNLESS OTHERWISE SPECIFIED		CHECKED		
		APPROVED		
PARTY'S NAME WOODKRAFT (INDIA) LTD., HYDERABAD		SCALE		1:1
		AREA mm ²		212.743
PARTY'S DRAWING No. AS PER SPECIFICATION		PERIMETER mm.		181.513
		WEIGHT kg/m		0.574
ALLOY & TEMPER HE9 WP		DRAWING No.		SECTION No.
		P-9444		-
DESCRIPTION RECTANGULAR TUBE		S2264		S2264
		14119		14119