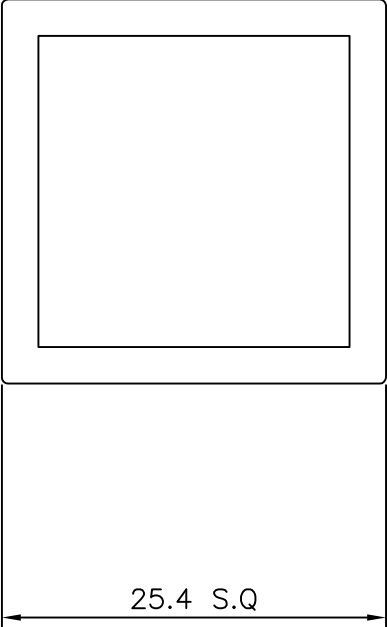
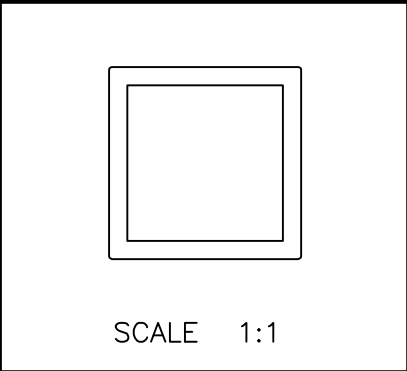



2515
14465



1. GENERAL WALL THICKNESS 2.41 mm

 SYMBOL OF QUALITY AN ISO 9001 COMPANY	<b>JINDAL ALUMINIUM LTD.</b> BANGALORE-560073 (INDIA)	NAME		DATE
		DRAWN	J.P.KAUSHIK	30-09-2005
		CHECKED		
1. ALL DIMENSIONS ARE IN mm. 2. ROUND OFF ALL SHARP CORNERS WITH 0.40 mm. 3. TOLERANCES WILL BE AS PER IS:6477-1983 UNLESS OTHERWISE SPECIFIED		SCALE		2:1
PARTY'S NAME		-		AREA mm <sup>2</sup>
PARTY'S DRAWING No.		-		221.486
ALLOY & TEMPER		HE9 WP		PERIMETER mm.
DESCRIPTION		SQUARE TUBE		100.913
				WEIGHT kg/m
				0.598
				DRAWING No.
				SECTION No.
				2515
				14465
				14465