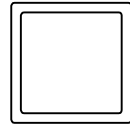


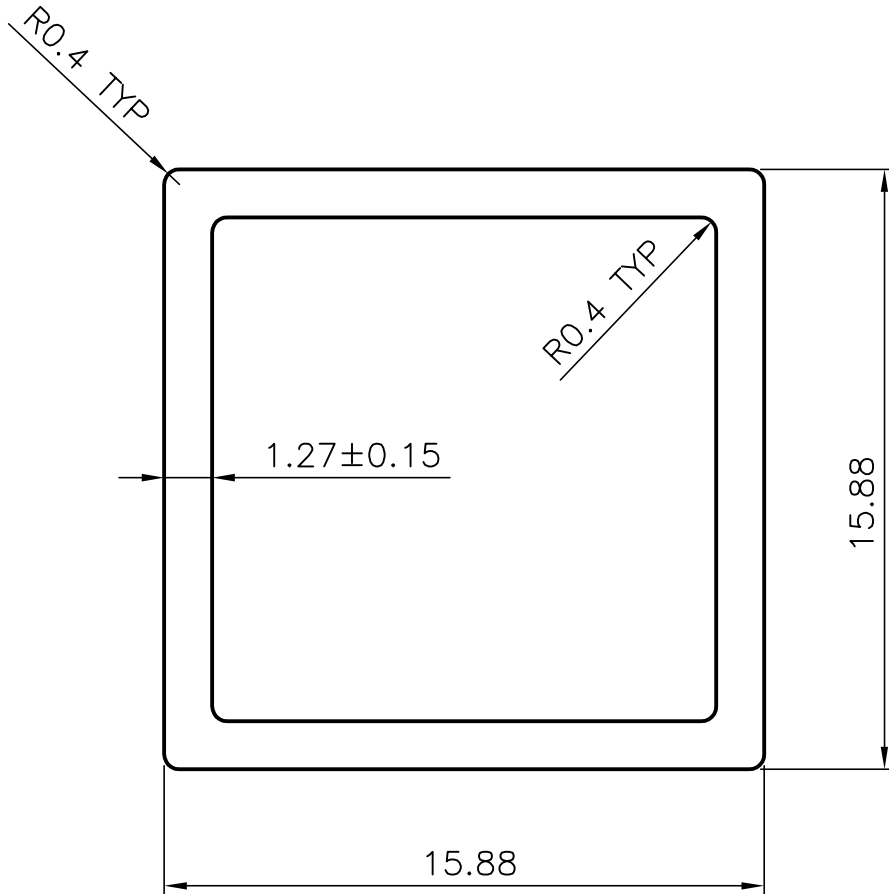
P-2984

2560

14502



SCALE 1:1



SYMBOL OF QUALITY
AN ISO 9002 COMPANY

JINDAL ALUMINIUM LTD.
BANGALORE-560073 (INDIA)

	NAME	DATE
DRAWN	RANGASWAMY	22-11-2K
CHECKED		
APPROVED		

1. ALL DIMENSIONS ARE IN mm.
2. ROUND OFF ALL SHARP CORNERS WITH 0.40 mm.
3. TOLERANCES WILL BE AS PER I.S. 6477-1983 UNLESS OTHERWISE SPECIFIED

SCALE	5:1
WEIGHT kg/m	0.200
SECTION No.	14502

PARTY'S NAME	PERMARAIL MANUFACTURING LTD., BANGALORE
PARTY'S DRAWING No.	AS PER SPECIFICATION
ALLOY & TEMPER	6060 T5 LENGTH 5500 mm
DESCRIPTION	SQUARE TUBE

DRAWING No.	14502
-------------	-------