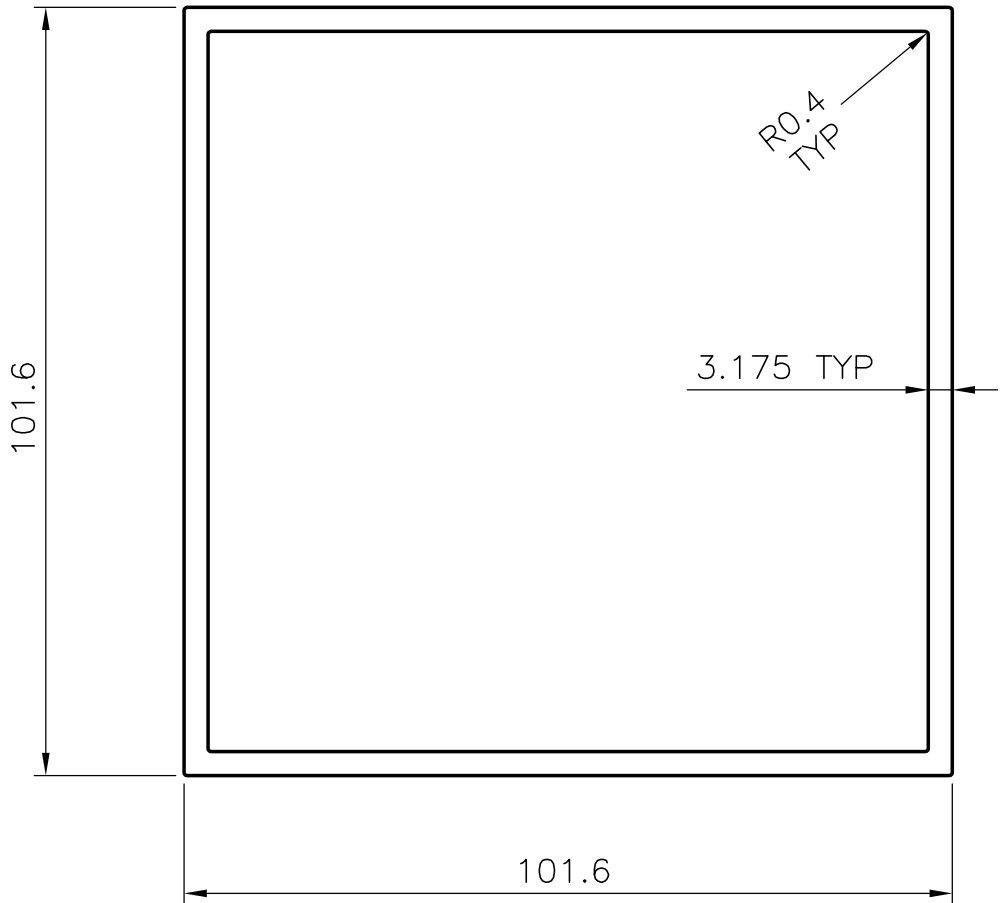



| |
|-------|
| S586 |
| 2575 |
| 14517 |



| | | | | |
|--|--|-------------|------------|---------|
|  SYMBOL OF QUALITY AN ISO 9002 COMPANY | JINDAL ALUMINIUM LTD. BANGALORE-560073 (INDIA) | | NAME | DATE |
| | | DRAWN | RANGASWAMY | 9-11-2K |
| 1. ALL DIMENSIONS ARE IN mm. 2. ROUND OFF ALL SHARP CORNERS WITH 0.40 mm. 3. TOLERANCES WILL BE AS PER I.S. 6477-1983 UNLESS OTHERWISE SPECIFIED | | CHECKED | | |
| | | APPROVED | | |
| PARTY'S NAME | ZENITH TOOLS & COMPONENTS., BANGALORE | SCALE | 1:1 | |
| PARTY'S DRAWING No. | AS PER SPECIFICATION (46-265883) | WEIGHT kg/m | 3.374 | |
| ALLOY & TEMPER | 6036 T6 | SECTION No. | 14517 | |
| DESCRIPTION | SQUARE TUBE | DRAWING No. | 14517 | |